



Marine GPS Receiver

Model: GM-88U

WI-RD-D-008 V1.2

Compact & Sensitive Marine GPS Receiver with u-blox powerful GPS chipset solution



© San Jose Technology, Inc. All specifications subject to change without notice.

Overview:

GM-88U is an outstanding high sensitivity Marine GPS receiver. With excellent performance, it is easily to conquer the most difficult tasks. In addition, it also provides various functions to meet customers' needs. **GM-88U** employs u-blox powerful GPS receiver chipset solution. It provides marvelous navigation performance under dynamic conditions in areas with limited sky view like urban canyons. It also has high sensitivity for weak signal operation without compromising accuracy. Undoubtedly, **GM-88U** is the best choice for you.

Features:

- Excellent noise immunity
- Very Fast TTFF
- 32Kbit Flash Memory
- Sensitivity: -160dBm(Tracking)
- Standard and NMEA-0183 output
- User selectable baud rate
- WASS , EGNOS , MSAS , GAGAN capable
- Easy installation / operation

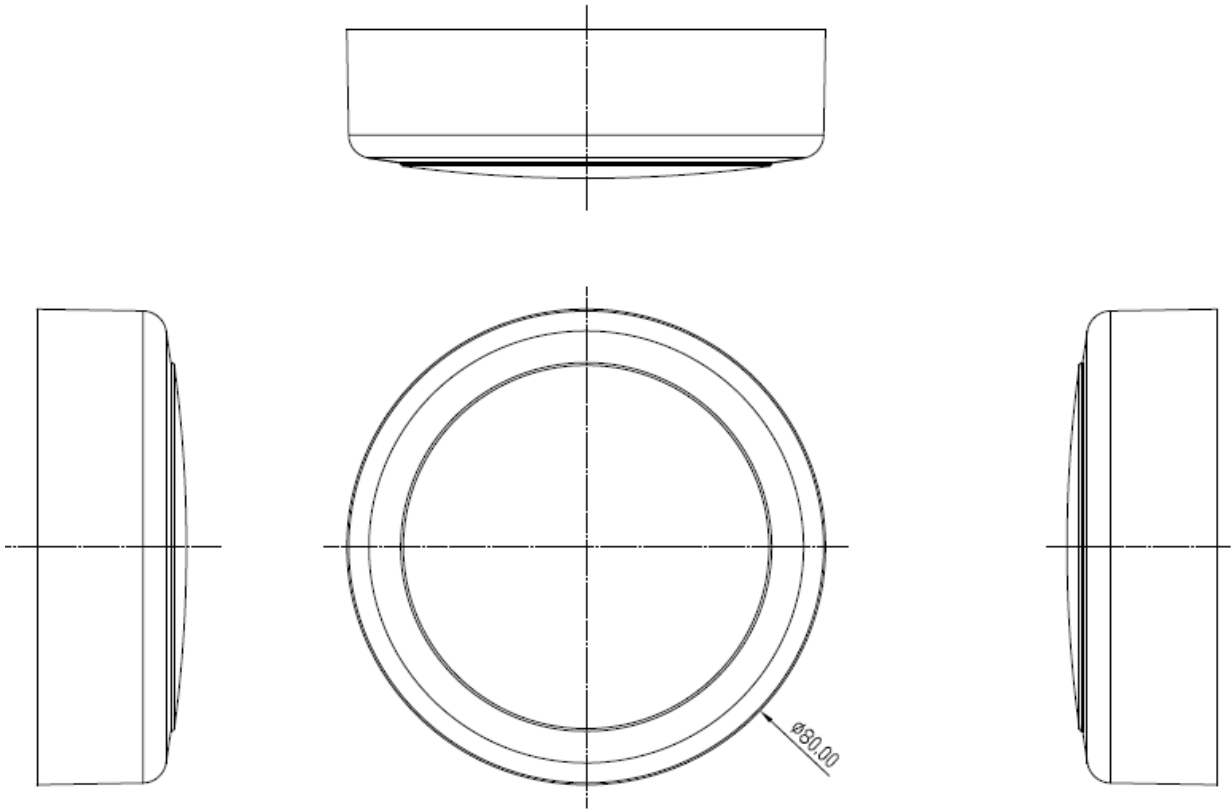
Applications:

- Marine Navigation or touring devices.
- Fleet Management/Mileage Management.
- Tracking devices/system/ AVL and Location-Based service system.
- Data logging for marine Navigation.
- Mapping devices for PC & Pocket PC.

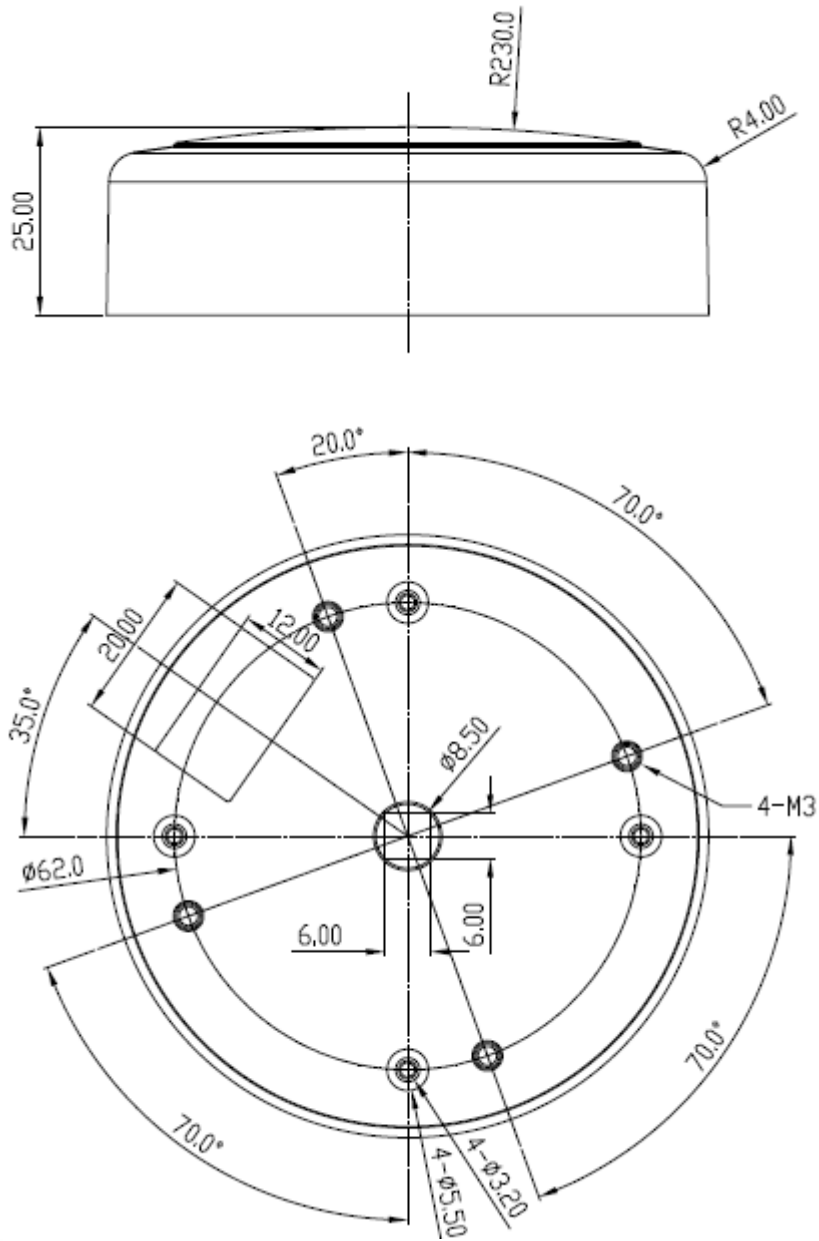
Specification:

Physical construction	
Dimension	80mm(Dia.) x 25mm (H)
Power cable	UL 2464 / 3M
Weight	100 gram(without cable)
Enclosure	High impact, corrosion-proof polycarbonate resin
Construction	Full EMI shielding
Environmental conditions	
Temperature	Operating: -30 ~ +80 °C
	Storage: -40 ~ +85 °C
Humidity	0% to 95% RH, non condensing
Water Resistance	100% waterproof
Communication	
Protocol	NMEA, UBX binary
Interface	RS232 (Standard)
Interface capability	
Standard Output Sentences	GGA*1,GSA*5,GSV*5,RMC*1,VTG*1. Optional: ZDA
Performance	
Sensitivity	-160dBm (Tracking)
SBAS	WAAS, EGNOS, MSAS, GAGAN
Receiver architecture	50 parallel channels
Start-up time	1 sec. typical (hot start)
	50 sec. typical (warm start)
	50 sec. typical (cold start)
Position accuracy*	Without aid: 2.5 m SBAS: 2.0 m
Velocity	500 m/s
Altitude	50000m (maximum)
Update Rate	1 Hz(standard), Optional: Up to 5Hz
Power Supply	8V ~ 35V DC
Power Consumption	Acquisition: 75mA, Tracking: 47mA
Baud Rate	4800 bps (default) Optional: 9600/19200/38400/115200 bps are adjustable
Cable	
Connector	Open Cable

Mechanical Diagram:



© San Jose Technology, Inc.
All specifications subject to change without notice.



© San Jose Technology, Inc.
All specifications subject to change without notice.