



Mini GPS Locator

Model: GM-44UB-FB

WI-RD-D-033 V1.0

Extremely compact GPS locator with excellent software compatibility, providing real-time position fixes via your palmtop/desktop PC or PDA



© 2012 San Jose Technology, Inc. All specifications subject to change without notice.

Overview:

Our GM-44UB-FB locator comes up with a new generation GPS solution. When integrated with your computer, GM-44UB-FB provides you with real-time position fix for your vehicle, helping guide you to your destination. The GM-44UB-FB mobile locator is a low cost/ high quality GPS solution for AVL, Fleet Management System and Marine Navigational Aid. The unit is a single GPS Receiver/Antenna in a low profile, waterproof and robust enclosure with magnetic/bolt mount. It interfaces to a RS-232 or a USB serial comm. port of your computing device that utilizes NMEA 0183 data output sentences.

The GM-44UB-FB Mobile Locator provides real time GPS position, speed, distance travel and heading information in the NMEA-0183 format (such as GPRMC, GPGGA, GPGSV, GPGLL and GPGSA) to your portable PC, PDA or vehicle computer.

Features:

- Selectable 1 ~ 5Hz update rates
- Fast Cold start time of 45s
- Low power consumption
- Robust structure
- Metallic base to enhance the grounding



Applications:

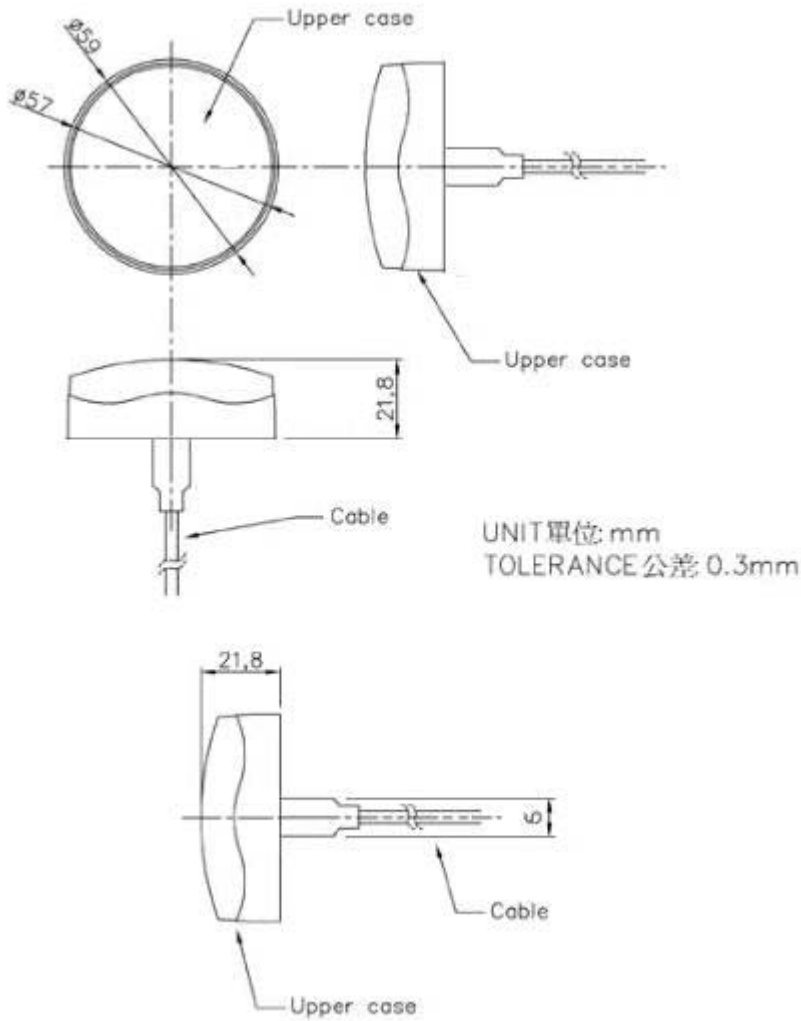
- GPS navigation for both marine and land
- Telemetry applications
- AVL applications

©2012 San Jose Technology, Inc.
All specifications subject to change without notice.

Specification:

PHYSICAL CONSTRUCTION	
GPS Board Dimension	59mm (Diameter) x 21.8 mm (Height)
Weight	< 240g
Receiving frequency	1575.42MHz, C/A code
Mounting	Permanent/Pole mount
Construction	Fully waterproof structure
ENVIRONMENTAL CONDITIONS	
Temperature	Operating: -30°C ~ +85°C
	Storage: -40 °C ~ +85°C
COMMUNICATION	
Protocol	NMEA, UBX binary
Signal level	UART
INTERFACE CAPABILITY	
Standard Output Sentences	Standard: GGA, RMC, GSV, GSA, VTG, GLL, (Option: ZDA)
PERFORMANCE	
Built-in Antenna element	High-reliability ceramic patch
Sensitivity	Tracking & Acquisition -160dBm
	Reacquisition -160dBm
	Cold Start -147dBm
SBAS	WAAS, EGNOS, MSAS, GAGAN
Receiver architecture	50 parallel channels
Start-up time	1 sec. typical (hot start) 40 sec. typical (warm start) 45 sec. typical (cold start) (All satellites at -130 dB.)
Position accuracy*	Autonomous: < 2.5 m SBAS : < 2 m
Velocity Accuracy	0.1 m/s
Heading Accuracy	0.5 degrees
Velocity	500 m/S
Altitude	50,000m (Maximum)
Update Rate	1Hz(Default) , Up to 5Hz
Power Supply	8 ~ 35V
Power Consumption	Acquisition : 50~55mA (V=12V) Tracking : 41~61mA (V=12V)
Baud Rate	Default at 4800bps 2400/4800/9600/38400/57600/115200 bps are selectable by using utility
POWER CABLE	
Length	5m

Mechanical Diagram:



©2012 San Jose Technology, Inc.
All specifications subject to change without notice.

Pin Assignment:

COLOR	FUNCTION
Green	Receive
Orange	Transmit
Black	Ground / Power -
Red	Power +
Blue	1PPS
Braid / Shield	Earth