

⚡ BAT-SLA45

PC/104 Power Backup

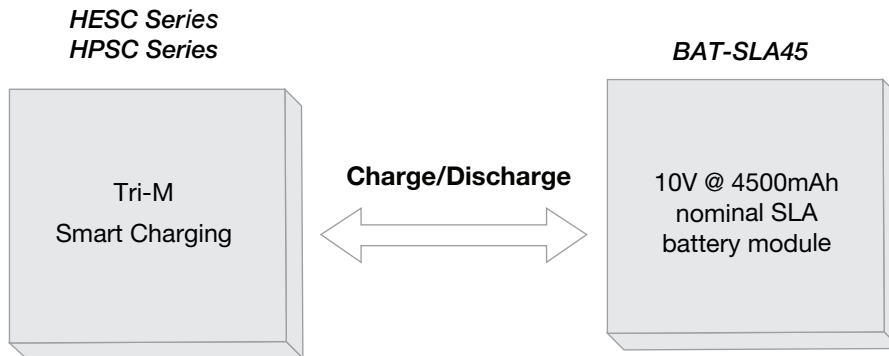
POWER  **TRI-M**
TECHNOLOGIES INC.

SLA Battery Backup for HESC/HPSC



The BAT-SLA45 is a 10V @ 4500mAh sealed lead acid (SLA) battery module that when combined with a Tri-M HESC or HPSC smart charging power solution creates a complete uninterpretable power system (UPS) in a PC/104 footprint. Designed as a rugged backup power source, the BAT-SLA45 supplies backup power over an extended temperature range and includes current and thermal fuse protection and digital temperature sensor monitoring. With an extended temperature range the BAT-SLA45 is well suited for rugged and hostile environments.

Block Diagram



Key Specifications

- **Complete UPS System**
When combined with HESC or HPSC
- **Automotive Style Current Fuse**
- **Industrial SLA Batteries**
- **5x DD 2V 4500mAh (nom.)**
- **Onboard Current Fuse**
Protects against High Currents
- **Digital Temperature Sensor**
- **Extended Temperature**
-40°C to +80°C / -40°F to +176°F

Advantages

- **Rugged Design**
For harsh and hostile environments
- **Battery mosfet Isolation**
Eliminates power loss when system off
- **Battery Control**
Isolate Battery Connect
- **Installs on any HESC or HPSC power supply**
No configuration required
- **Long Lasting Backup**
High capacity long life batteries
- **Orientation Independent**

Applications

- **Military & Civil Vehicles**
- **Aerospace & Defence**
- **Industrial Automation**
- **Telecommunications**
- **Undersea & Marine**

Specifications

Electrical

Nominal Voltage

+10V Total

Batteries

5x DD size SLA 2V per cell
4500 mAh
45 watt-hr (162,000 joules energy)

Backup Time

Up to 100 minutes with 25W load

Charge Cycles

500-800 (nom.)

Charge Rate

Rapid and Float

Current Fuse

Up to 15A

Mechanical

Dimensions

90mm x 96mm x 105mm
(3.55 x 3.775 x 4.15 inches)

Weight

1478g (52oz)

Environment

Operating Temperature

-40°C to +80°C
(-40°F to 176°F)

MTBF

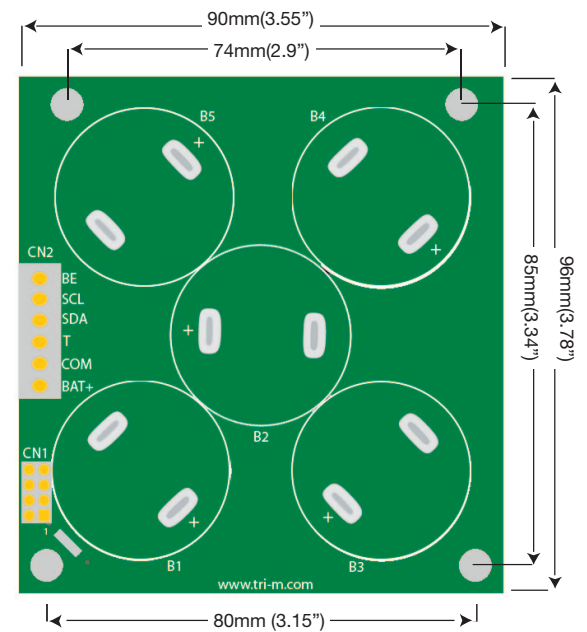
1,315,510 Hours (Calculated)

Certifications

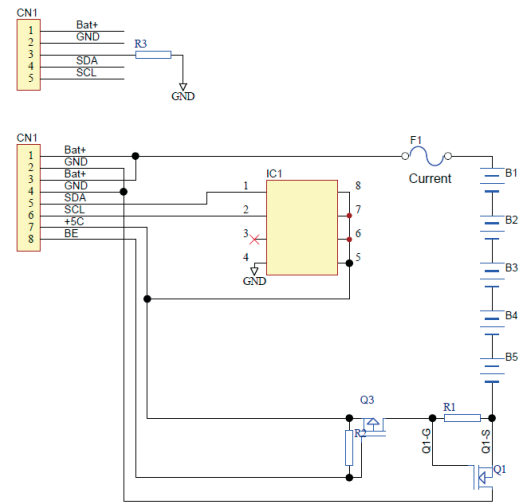


Manufactured in
ISO 9001:2008,
ISO 14001:2004 &
ANSI/ESD S20.20
Environments

Top View, PC/104 Compliant*



Schematic



Notes

Compliant only for length and width due to the large capacity batteries (4500mAh).

Schematic and Diagram are shown for visual reference only. Please refer to the User Guide for detailed information

Ordering Information

Models

BAT-SLA45[-Cy]-LD

ex: BAT-SLS45-LD, 10V 4500mAh battery
SLA battery module

Options

where [-Cy] is the optional conformal coating selection

“-CS” is silicon conformal coating

“-CU” is urethane conformal coating

“-CH” is HumiSeal conformal coating

ex: BAT-SLA45-CU-LD; 5V output, urethane conformal coating