



SSC3825 (Double Side LCD Display)

Two 38" Resizing LCD, 1000 nits LED backlight, 1920x502 ultra wide aspect ratio 16:4.2

SSC3825 is an innovative ultra-wide, sunlight readable, slim, LED backlight Double Side LCD display. It provides LCD panel with specific ratios for digital signage, public transportation, exhibition hall, department store, vending machine and industrial applications. Add content can be playback by optional smart TV dongle, with optional swivel base, SSC3825 can rotate 360° automatically.

Key Features

- Resizing LCD
- Double Side LCD Display
- Ultra Wide Screen (16 : 4.2)
- Sunlight Readable
- LED Backlight
- High Brightness 1000 nits
- High Uniformity (90%)
- Wide Dimming
- Life Expectancy (70,000hrs)
- Portrait / Landscape Mode (Optional)
- Slim Bezel
- Thickness: 39.4mm

Applications

Digital Signage, Vending Machine, Department Store, Transportation



Specifications

V1

Model No.	SSC3825
Description	Two 38" Resizing LCD, 1000 nits LED backlight, 1920x502
Display Area	930.2 x 243.2 mm
Brightness	1,000 cd/m ²
Resolution	1920 x 502
Aspect Ratio	16 : 4.2
Contrast Ratio	7000:1
Pixel Pitch (mm)	0.4845 x 0.4845
Viewing Angle	176°(H), 176°(V)
Display Colors	16.7M
Response Time (Typical)	6.5 ms
Sync	LVDS
Power Consumption	121W
Dimensions (mm)	1482.39 x 368 x 39.4
Weight (Net)	21 Kg
LED Driving Board	LID38A
Control Board (Optional)	AD2662GDHMA
<input type="checkbox"/> AD2662GDHMA	VGA + DVI + HDMI + Audio
F / R Control Button	4 Key
<input type="checkbox"/> 4 Key	Power Switch, Menu, Select (+,-),
OSD Menu	Brightness, Contrast, H/V Position, Color, Phase, Clock...
Optional	<input type="checkbox"/> swivel base (Power Consumption: 11W)

Specifications are subject to change without notice.

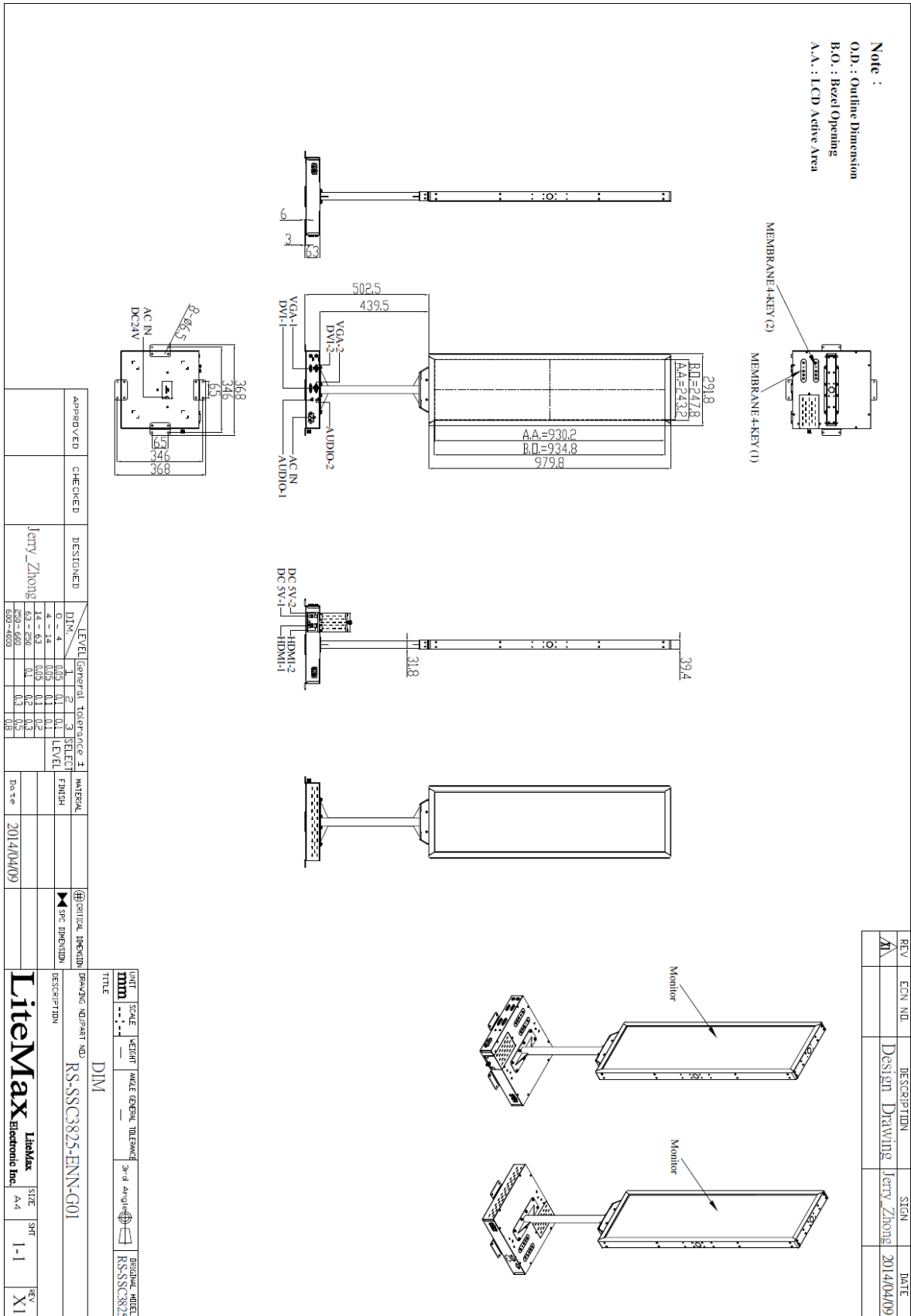
All brands or product names are trademarks or registered trademarks of their respective companies.

SSC = Panel+ LED Driving Board + Control Board



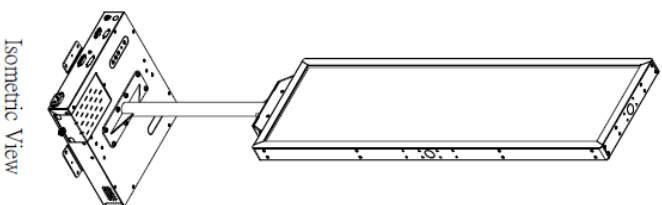
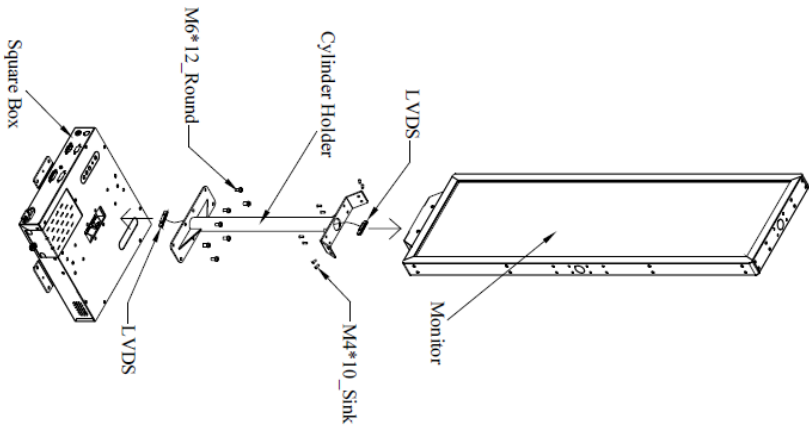
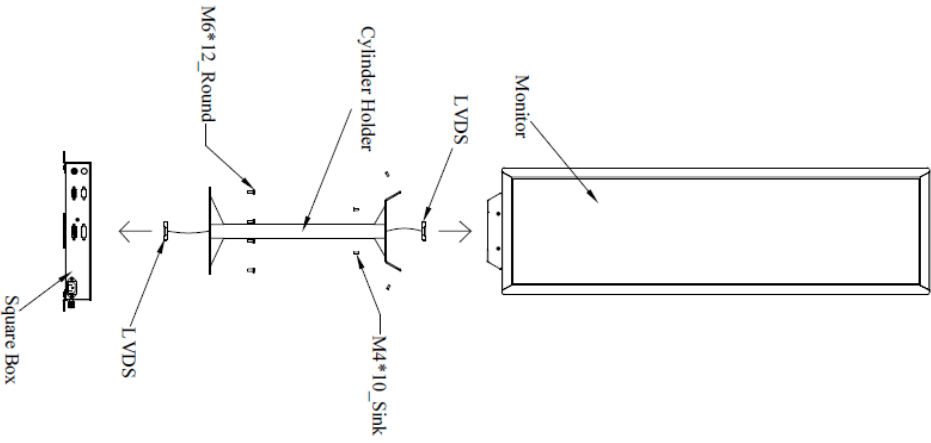
Mechanical Drawing

Outline Dimensions





Note :
M4*10_Sink (8 pcs)
M6*12_Round (8 pcs)



REV	EDN NO.	DESCRIPTION	SIGN	DATE
01		Design Drawing	Jerry_Zhong	2014/06/03

APPROVED	CHECKED	DESIGNED	LEVEL	General tolerance	±	SELECT	MATERIAL
		Jerry_Zhong	DIM	1	2	3	FINISH
			0 - 4	0.05	0.1	0.1	
			4 - 14	0.05	0.1	0.1	
			14 - 63	0.05	0.1	0.2	
			63 - 250	0.1	0.2	0.3	
			250 - 600	0.1	0.3	0.5	
			600 - 1500	0.3	0.5	0.8	
							Do s e
							2014/06/03

UNIT	SCALE	WEIGHT	ANGLE	GENERAL TOLERANCE	3rd Angle Projection	ORIGINAL MODEL
mm	1:1					SSC3825

DRAWING NO/PART NO. **SSC3825-ENN-G01**

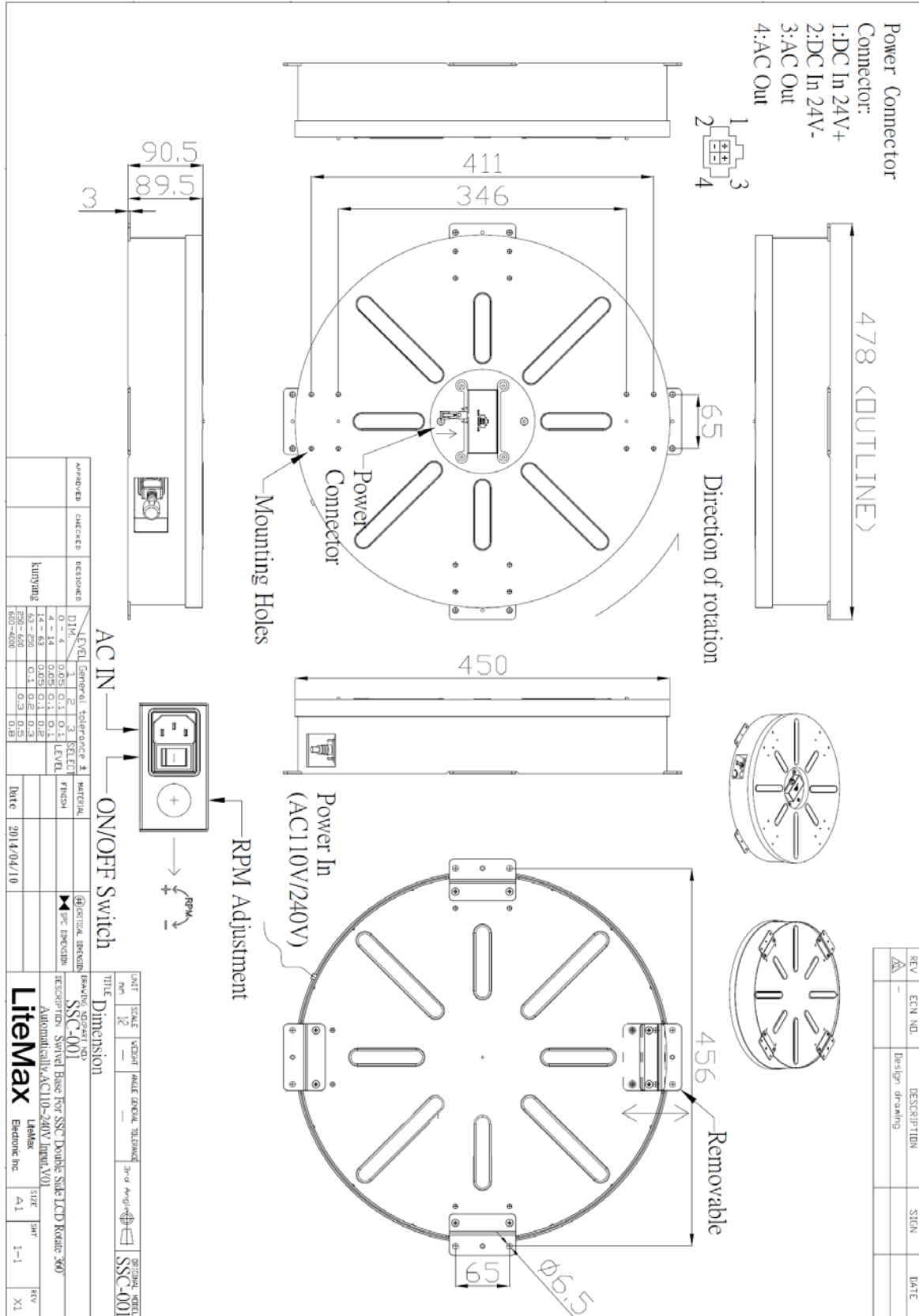
DESCRIPTION
 3# *2,100lbs, 190#*92, 118#A, AD26663DHVA, speaker 2, 2SD, 2V, 100-240V, 100V, VI

LiteMax Electronic Inc. SIZE A4 SHF 1-1 REV V1



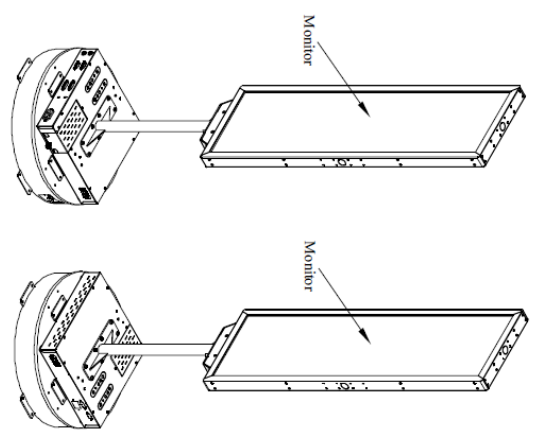
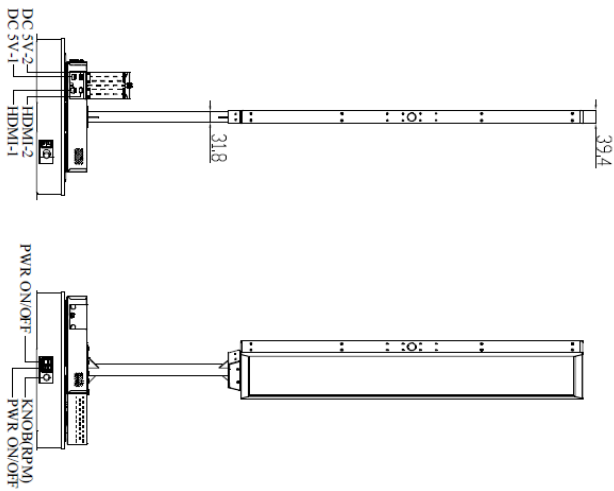
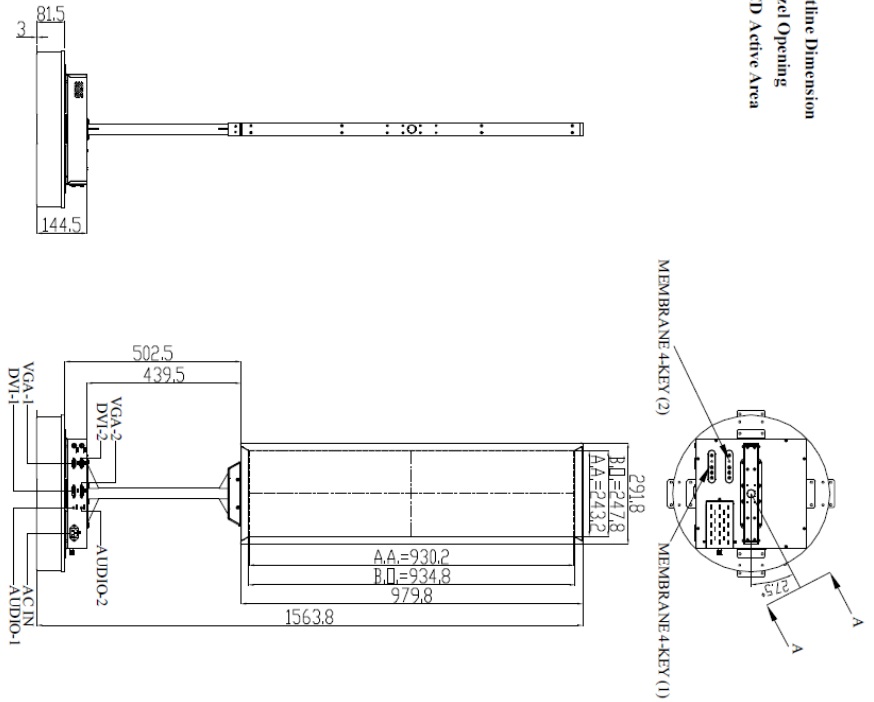
Outline Dimensions

Optional: SSC-001 (Swivel base for SSC Double Side LCD rotate 360° automatically)





Note :
 O.D. : Outline Dimension
 B.O. : Bezel Opening
 A.A. : LCD Active Area



REV	ECN NO.	DESCRIPTION	SIGN	DATE
A1		Design Drawing	Jerry Zhong	2014/04/09

APPROVED	CHECKED	DESIGNED	LEVEL	General tolerance	±	SELECT	MATERIAL	CRITICAL DIMENSION
		Jerry Zhong	DIM.	0 ~ 4	0.05	0.1		spec DIMENSION
			1.4 ~ 3.4	0.05	0.1	0.1		
			3.4 ~ 6.3	0.05	0.1	0.2		
			6.3 ~ 25.0	0.1	0.2	0.3		
			25.0 ~ 60.0	0.1	0.3	0.5		
			60.0 ~ 160.0	0.3	0.5	0.8		

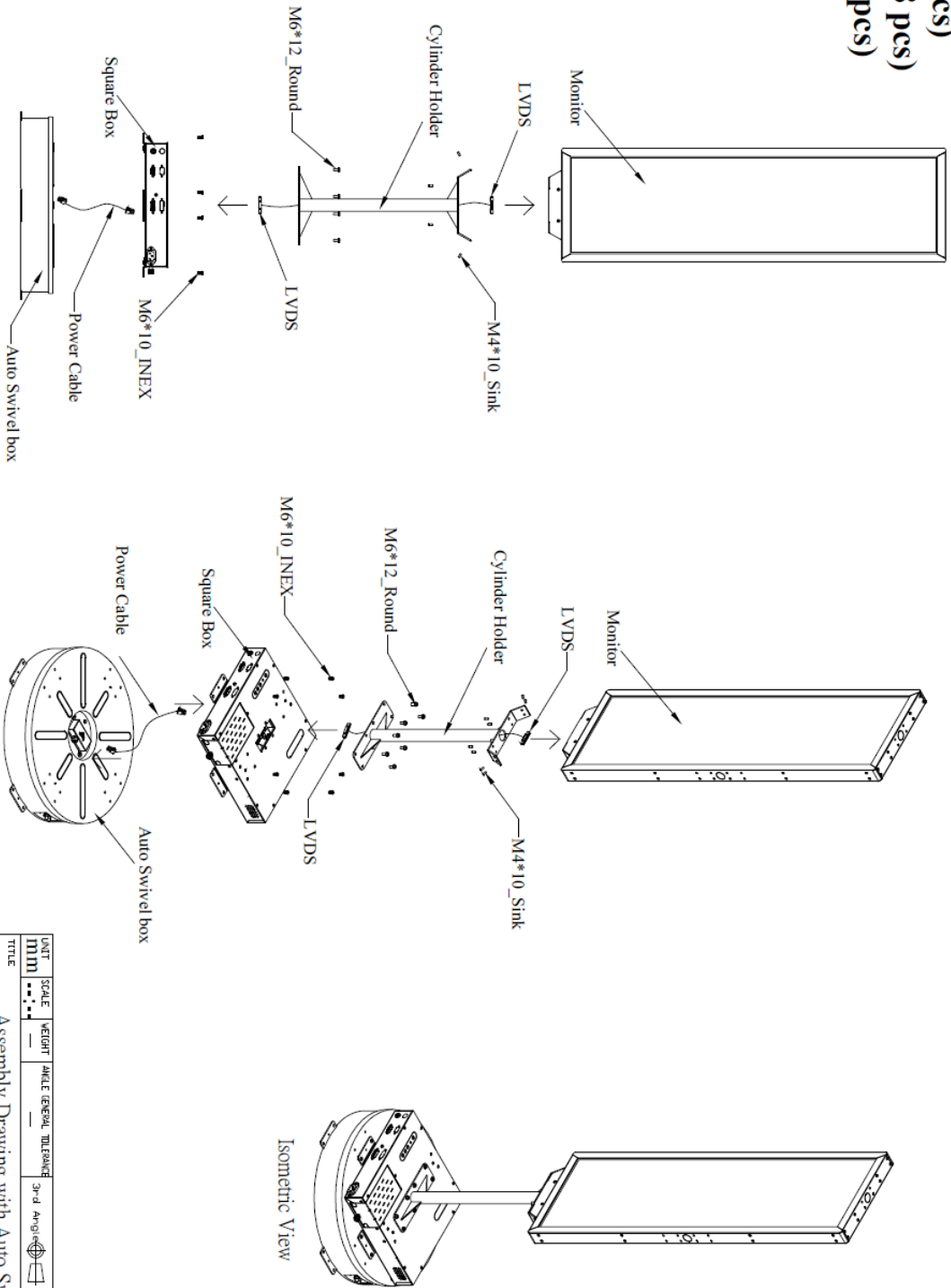
UNIT	SCALE	VELOCITY	ANGLE	GENERAL TOLERANCE	3rd Angle	DIRECTIONAL SYMBOL
mm	1:1					

TITLE DIM 含轉盤
 DRAWING NO./PART NO. RS-SSC3825-ENN-G01
 DESCRIPTION

LiteMax Electronic Inc. SIZE A4 SHFT 1-1 REV X1



Note :
M4*10_Sink (8 pcs)
M6*12_Round (8 pcs)
M6*10_INEX (8 pcs)



REV	ECN NO.	DESCRIPTION	SIGN	DATE
01		Design Drawing	Jerry_Zhong	2014/06/03

APPROVED	CHECKED	DESIGNED	LEVEL	General tolerance	±	SELECT	MATERIAL	FINISH	DATE
		Jerry_Zhong	1	0.05	0.1	1			2014/06/03
			2	0.05	0.1	2			
			3	0.05	0.1	3			
			4	0.05	0.1	4			
			5	0.05	0.1	5			
			6	0.05	0.1	6			
			7	0.05	0.1	7			
			8	0.05	0.1	8			
			9	0.05	0.1	9			
			10	0.05	0.1	10			

UNIT	SCALE	WEIGHT	ANGLE	GENERAL TOLERANCE	3rd Angle Projection	ORIGINAL NAME
mm	1:1					SSC3825

DRAWING NO/PART NO.		SSC3825-ENN-G01	
DESCRIPTION		Assembly Drawing with Auto Swivel box	
DRAWN BY		Jerry_Zhong	
CHECKED BY		Jerry_Zhong	
DATE		2014/06/03	
LITE MAX ELECTRONIC INC.		LITE MAX ELECTRONIC INC.	
SIZE	SHEET	REV	
A4	1-1	V1	



Ordering Information

Model Name	Description
SSC3825-ENN-G01	38"*2,1000nits,1920*502,LID38A,AD2662GDHMA,speaker/2W*2,OSD, AC100~240V input,V1

Optional Accessories

Part Number	Description
SSC-001	Swivel base for SSC Double Side LCD rotate 360° automatically, AC100~240V input,V1
810618301010 (Optional)	CABLE.POWER.AC.1830mm.(US Type).3PIN PLUG TO SOCKET.SVT(SPT-2)18AWG 3C BLACK.P.
810618301090 (Optional)	CABLE,POWER,AC,1830mm.(EU Type) 3PIN PLUG TO.SOCKET,H05VV-F 3G.0.75MMSQ BLACK,P
810618301050 (Optional)	CABLE,POWER,AC,1830mm.UK(FUSE) 3PIN PLUG TO.SOCKET,H05VV-F 3C(3G) 0.75MMSQ BLACK,P
810618301170 (Optional)	CABLE.POWER,AC,1830mm. (AU Type) 3PIN PLUG TO 2P SOCKET.LTSA 0.75MMSQ BLACK,P
810618301030 (Optional)	CABLE.POWER.AC.1830mm.(JP Type).2PIN PLUG Y TERMINAL TO. SOCKET.VCTF 3C 0.75MMSQ BLACK,P