



SSD1722

17.2" Resizing LCD, 400 nits LED backlight, 1366x512 ultra wide aspect ratio 16:6

SSD1722 is an innovative ultra-wide, sunlight readable, LED backlight LCD display. It provides LCD panel with specific ratios for digital signage, public transportation, exhibition hall, department store, vending machine and industrial applications. Incorporating with A.D. control board and backlight design, it is high brightness and sunlight readable panel, can display high-quality video with energy-efficient.

Key Features

- Resizing LCD
- Ultra Wide Screen (16 : 6)
- Sunlight Readable
- LED Backlight
- High Brightness 400 nits
- Low Power Consumption
- High Uniformity (90%)
- Wide Dimming
- Life Expectancy (70,000hrs)
- Slim Bezel



Specifications

V1

Model No.	SSD1722
Description	17.2" Resizing LCD, 400 nits LED backlight, 1366x512
Display Area	409.8 x 153 mm
Brightness	400 cd/m ²
Resolution	1366 x 512
Aspect Ratio	16 : 6
Contrast Ratio	570:1
Pixel Pitch(mm)	0.3 x 0.3
Pixel Per Inch(PPI)	85
Viewing Angle	170°(H), 160°(V)
Color Saturation(NTSC)	82%
Display Colors	16.7M
Response Time(Typical)	5 ms
Sync	LVDS
Power Consumption	9.84W
Operating Temperature	0°C~50°C
Storage Temperature	-20°C~60°C
Dimensions(mm)	433 x 181 x 40
Weight(Net)	1.8kg
LED Driving Board	LID17A
Control Board(Optional)	AD6038GA
<input type="checkbox"/> AD6038GA	VGA + Audio
F / R Control Button	4 Key
<input type="checkbox"/> 4 Key	Power Switch, Menu, Select (+,-),
OSD Menu	Brightness, Contrast, H/V Position, Color, Phase, Clock...
Optional	<input type="checkbox"/> Touch Screen

Specifications are subject to change without notice.

All brands or product names are trademarks or registered trademarks of their respective companies.

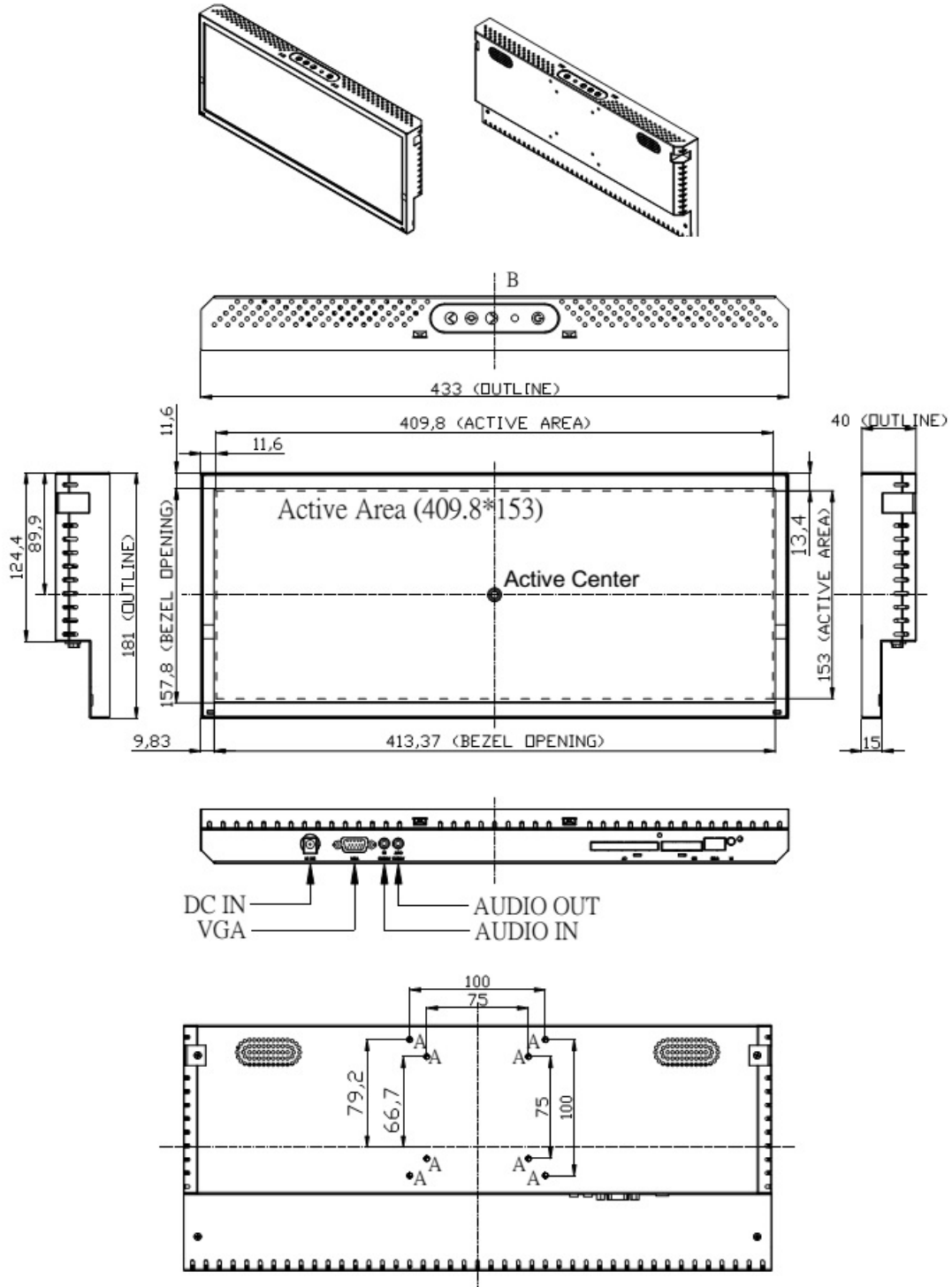
SSD = Panel+ LED Driving Board + Control Board + Housing



Mechanical Drawing

Outline Dimensions

Unit: mm



NOTE :
 A:8-M4_USER_HOLE_MAX.DEPTH=4mm
 B:OSD-4KEY



Ordering Information

Model Name	Description
SSD1722-ENB-I01	17.2",400nits,1366*512,LID17A.AD6038GA,O/B,DC 12V,V1

Optional Accessories

Part Number	Description
840612051104	ADAPTER,12V,5A,60W.KPA-060F,DC Plug,2.1*5.5mm.P
810618301010 (Optional)	CABLE.POWER.AC.1830mm.(US Type).3PIN PLUG TO SOCKET.SVT(SPT-2)18AWG 3C BLACK.P.
810618301090 (Optional)	CABLE,POWER,AC,1830mm.(EU Type) 3PIN PLUG TO.SOCKET,H05VV-F 3G.0.75MMSQ BLACK,P
810618301050 (Optional)	CABLE,POWER,AC,1830mm.UK(FUSE) 3PIN PLUG TO.SOCKET,H05VV-F 3C(3G) 0.75MMSQ BLACK,P
810618301170 (Optional)	CABLE.POWER,AC,1830mm. (AU Type) 3PIN PLUG TO 2P SOCKET.LTSA 0.75MMSQ BLACK,P
810618301031 (Optional)	CABLE.POWER.AC.1830mm.(JP Type).2PIN PLUG Y TERMINAL TO. SOCKET.VCTF 3C 0.75MMSQ BLACK,P