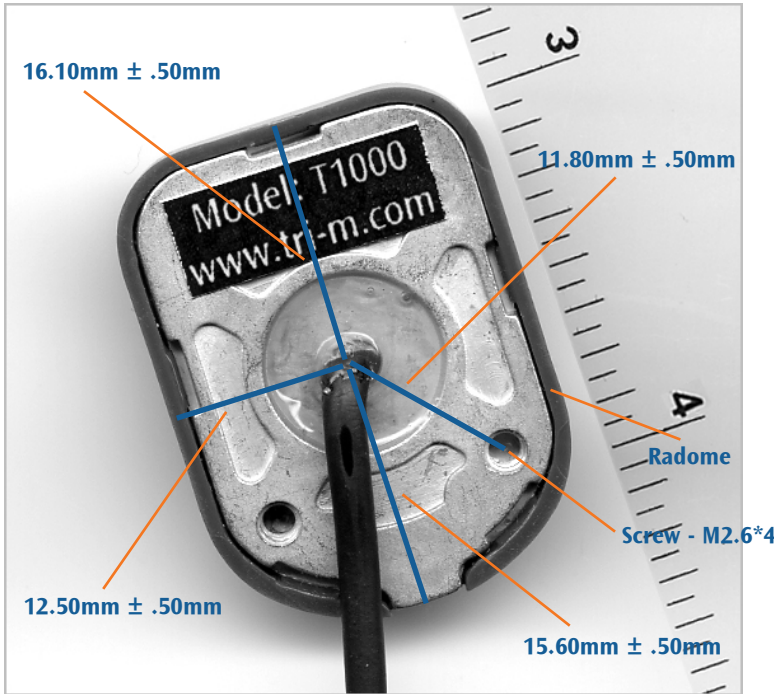


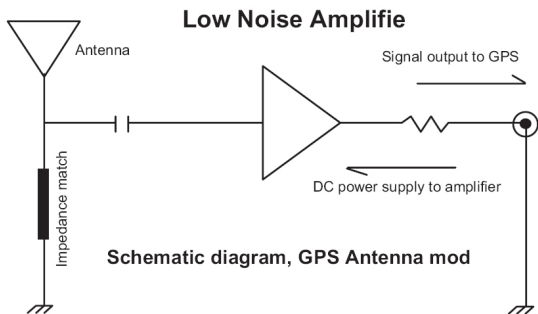
T1000

Active GPS Antenna



features

- Diminutive and rugged construction allows for military and other applications demanding high degree of confidentiality
- Ultra-high sensitivity
- Module board available for embedded applications
- Ideal for PDA, HPC, and other computing devices in GPS applications
- Fully waterproof
- Excellent temperature stability



specifications

Physical

- Construction: Polycarbonate radome/metal base
- Antenna w/ radome: 33.90mm ±0.50mm x 25.20mm ±0.50mm x 10.60mm ±0.50mm
- Antenna w/o radome 32.75mm ±0.50mm x 22.95mm ±0.50mm x 9.30mm ±0.50mm
- Radome: 1.10mm ±0.50mm
- Screw: M2.6*4
- Weight: 30g (less cable and connector)

Cable and Connector

- RF Cable: 12" RG-174/4

Environmental

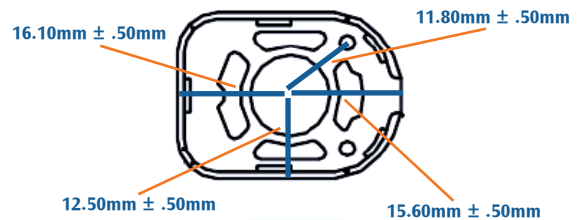
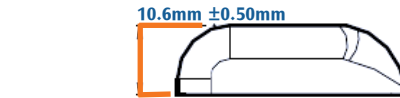
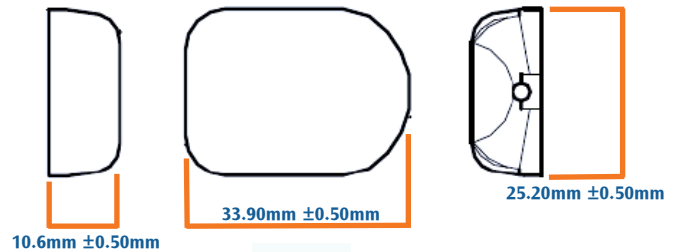
- Operating Temperature: -30°C to 85°C
- Storage Temperature: -40°C to 90°C
- Relative Humidity: 95% non-condensing
- Waterproof: 100% waterproof

Antenna Element

- Center Frequency 1575.42MHz ±1.023MHz
- Polarization R.H.C.P.
- Absolute Gain @ Zenith 5dBi typically
- Gain @ 10° Elevation -1dBi typically
- Axial Ratio 3dBi typically
- Output VSWR 1.5 max.
- Output Impedance 50ohm

Low Noise Amplifier

- Center Frequency 1575.42MHz ±1.023MHz
- Gain 25dB typically
- Band width 2MHz min
- Noise Figure 1.5 max
- Out Band Attenuation 20dB min @ FO ±50MHz
- Supply Voltage 3V to 5V DC
- Current Consumption 12mA
- VSWR 1.5 max.



Part Number

T1000

Description

Active GPS Antenna