

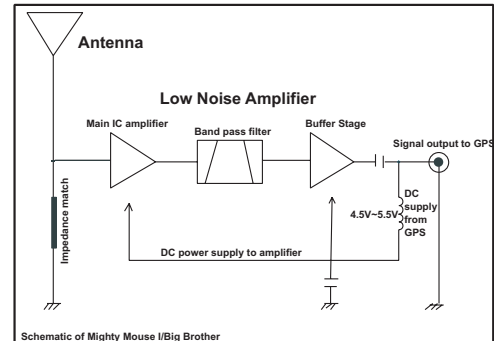
Mighty Mouse I

Active GPS Antennas



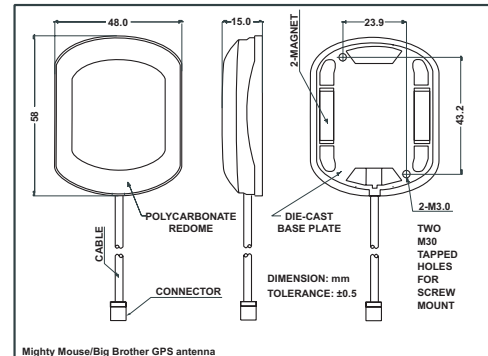
Mighty Mouse I (Low Power)

- 25dB gain low noise amplifier
- Maximum of 12mA current consumption
- 3.3V to 5.5V DC



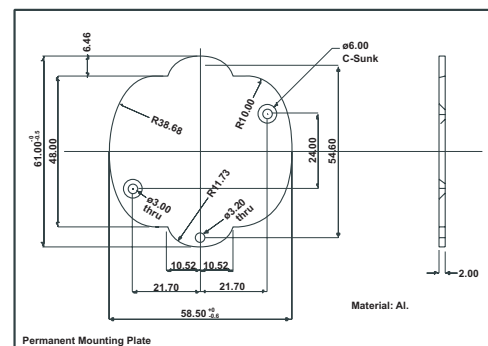
Mechanical and Environmental

- Dimensions: 58mm x 48mm x 15mm
- Weight: 65g
- Mounting: dual magnet mount or screw on metal plate mount
- Cable: RG174/U, 5m, strength 6kg @ 5sec.
- Connector: Universal FME to TNC/BNC/SMA/SMB/MCX
- Temperature: Operating -30°C to 85°C, Storage -40°C to 90°C
- Humidity: 95% non-condensing
- Water: 100% waterproof



Antenna Element

- Frequency: Center at 1575.42MHz
- Polarization: Right handed circular polarization
- Gain @ 90: 5dB typical
- Gain @ 10: -1dB typical
- Axial Ratio: 3dB max.
- Output VSWR: 1.5:1 max.
- Impedance: 50
- LNA Noise: 1.5dB typical 2.5dB max



Ordering Information

Part Number	Description
MM1 GPS	Mighty Mouse I, 25 dB gain GPS Antenna with 5 meter cable (3.3V to 5.5V DC)

Options

XXX	Straight connector; replace XXX with SMB, SMA, BNC, TNC, MCX or NTYPE
XXX-RA	Right angle connector; replace XXX with SMB, SMA, BNC, TNC, MCX or NTYPE



Tri-M Systems and Engineering

1407 Kebet Way, Unit 100 • Port Coquitlam, BC V3C 6L3 • Canada
Tel: 604.945.9565 Fax: 604.945.9566 www.Tri-M.com