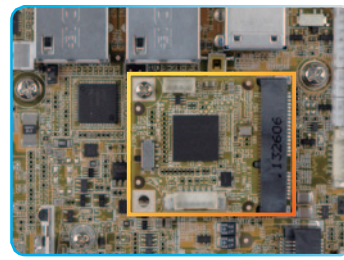
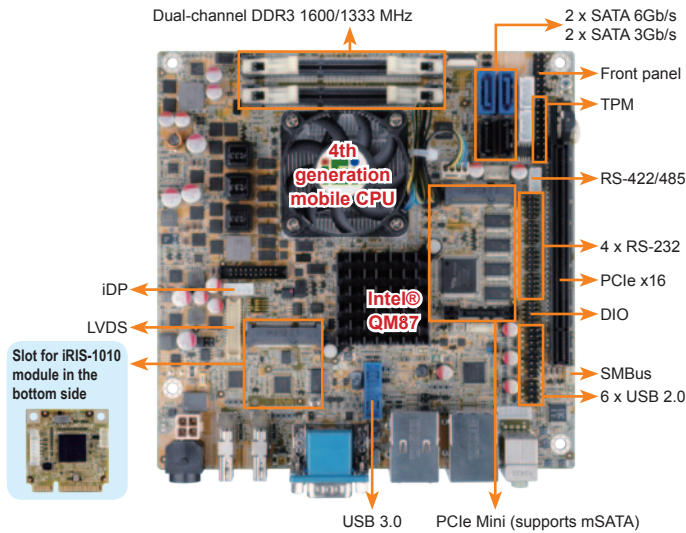


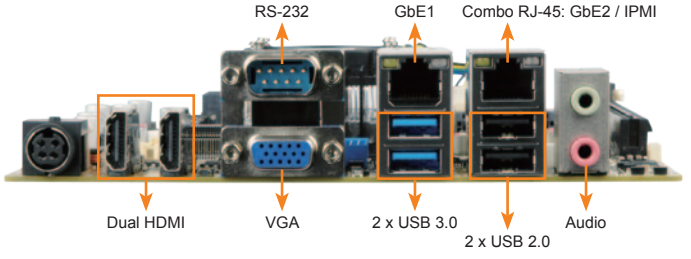
# KINO-DQM871-i1

Mini-ITX SBC supports Intel® 22nm 4th generation mobile processors, HDMI/VGA/LVDS/DP, Dual Intel® PCIe GbE, USB 3.0, SATA 6Gb/s, iRIS-1010, Audio and RoHS



## iRIS-1010 Key Features

- IPMI 2.0 Based Management
- Cross OS Platform Support
- Hardware Health Monitor
- Event Log
- Notifications
- Virture Media Support
- Remote Power Control
- User Management
- Serial over LAN



IPMI 2.0 Compliant

One Key Recovery

DDR3 1600

Jumper-less

Triple Display

USB 3.0

SATA 6Gb/s

Dual GbE

HDMI

mSATA

## Specifications

- ◆ CPU
  - Intel® mobile Core™ i7-4700EQ on-board processor with Intel® AMT 9.0 support (2.4GHz, quad-core, 6MB cache, TDP=47W)
  - Intel® mobile Core™ i5-4402E on-board processor with Intel® AMT 9.0 support (1.6GHz, dual-core, 3MB cache, TDP=25W)
  - Intel® mobile Core™ i3-4102E on-board processor (1.6GHz, dual-core, 3MB cache, TDP=25W)
  - Intel® mobile Celeron® 2002E on-board processor (1.5GHz, dual-core, 2MB cache, TDP=25W)
  - Intel® mobile Core™ i5-4400E on-board processor with Intel® AMT 9.0 support (2.7GHz, dual-core, 3MB cache, TDP=37W) (by request)
  - Intel® mobile Core™ i3-4100E on-board processor (2.4GHz, dual-core, 3MB cache, TDP=37W) (by request)
  - Intel® mobile Celeron® 2000E on-board processor (2.2GHz, dual-core, 2MB cache, TDP=37W) (by request)
- ◆ System Chipset: Intel® QM87
- ◆ Memory: Two 204-pin 1066/1333/1600 MHz DDR3 dual-channel SO-DIMMs (support up to 16GB)
- ◆ BIOS: UEFI BIOS
- ◆ Ethernet
  - GBE1: Intel® I217LM with Intel® AMT 9.0 support
  - GBE2: Intel® I210-AT PCIe controller
- ◆ Graphics Engine
  - Intel® HD Graphics Gen 7.5 supports DX11.1 and OpenCL 1.2, OpenGL 3.2
  - Full MPEG2, VC1, AVC Decode
- ◆ Display Output
  - VGA (up to 1920x1200@60Hz)
  - 18/24-bit dual-channel LVDS by CH7511B DP to LVDS converter (up to 1920x1200@60Hz)
  - Dual HDMI (up to 2500x1600@60Hz)
  - iDP interface for HDMI, LVDS, VGA, DVI, DP (up to 3840x2160 @60 Hz)
- ◆ Super I/O: Fintek F81866
- ◆ Audio: Realtek ALC662 HD Audio codec
- ◆ I/O Interface
  - 1 x 6-pin header for KB/MS
  - 1 x RS-422/485
  - 5 x RS-232
  - 2 x SATA 3Gb/s, 2 x SATA 6Gb/s (RAID 0, 1, 5, 10 supported)
- ◆ iRIS Remote Management Module: 1 x iRIS-1010 slot
- ◆ Front Panel: 1 x Front panel (Power LED, HDD LED, Speaker, Power Button, Reset Button)
- ◆ LAN LED: 2 x LAN LED (1x2 pin)
- ◆ SMBus: 1 x SMBus (1x4 pin)
- ◆ TPM: 1 x TPM (2x10 pin)
- ◆ Expansion
  - 1 x Full-size PCIe Mini card slot (supports mSATA, SATA 6Gb/s signal only)
  - 1 x PCIe x16 (Gen.3)
- ◆ Watchdog Timer: Software programmable, support 1~255 sec. system reset
- ◆ Digital I/O: 8-bit digital I/O (4-bit input, 4-bit output)
- ◆ Fan Connector
  - 1 x 4-pin CPU fan connector
  - 1 x 4-pin system fan connector
- ◆ Power Supply
  - 12V DC input
  - 1 x Internal 4-pin (2x2) power connector
  - Support AT/ATX mode
- ◆ Power Consumption
  - 12V@6.03A (Intel® Core™ i7-4770EQ, 2.4GHz CPU with 8GB (2x4GB) 1333MHz DDR3 memory)
- ◆ Operating Temperature: -20°C ~ 60°C
- ◆ Operating Humidity: 5% ~ 95%, non-condensing
- ◆ Dimensions: 170mm x 170mm
- ◆ Weight: GW: 900g/NW: 450g

## Features

1. 4th generation Intel® mobile Core™ i7/i5/i3 or Celeron® on-board processor
2. DDR3 1066/1333/1600MHz dual-channel SDRAM
3. HDMI 1.4a compliant, triple independent display supported
4. 3D micro-architecture enhancements support DX11.1, OCL 1.2 and OGL3.2
5. Rich media acceleration for hardware decode and encode acceleration
6. Intel® GbE LAN with Intel® AMT 9.0 support
7. High speed I/O interface for PCIe Gen 3.0 add-on card, USB 3.0 and SATA 6Gb/s supported
8. Supports dual PCIe Mini expansion for PCIe Mini device and mSATA
9. IEI Jumper-less function
10. Support IPMI 2.0 with iRIS-1010 module

## Packing List

1 x KINO-DQM871-i1 motherboard	
2 x SATA with power output cable (P/N: 32801-000100-100-RS)	1 x CPU cooler
1 x I/O shielding	1 x Utility CD
1 x Mini jumper pack	1 x QIG

## Ordering Information

Part No.	Description
KINO-DQM871-i1-i7-R10	Mini-ITX SBC supports Intel® 22nm Mobile Core™ i7-4700EQ on-board Processor, HDMI / VGA / LVDS / DP, Dual Intel® PCIe GbE, AMT 9.0, USB 3.0, SATA 6Gb/s, iRIS-1010, Audio and RoHS
KINO-DQM871-i1-i5E-R10	Mini-ITX SBC supports Intel® 22nm Mobile Core™ i5-4402E on-board Processor, HDMI / VGA / LVDS / DP, Dual Intel® PCIe GbE, AMT 9.0, USB 3.0, SATA 6Gb/s, iRIS-1010, Audio and RoHS
KINO-DQM871-i1-i3E-R10	Mini-ITX SBC supports Intel® 22nm Mobile Core™ i3-4102E on-board Processor, HDMI / VGA / LVDS / DP, Dual Intel® PCIe GbE, USB 3.0, SATA 6Gb/s, iRIS-1010, Audio and RoHS
KINO-DQM871-i1-CE-R10	Mini-ITX SBC supports Intel® 22nm Celeron 2002E on-board Processor, HDMI / VGA / LVDS / DP, Dual Intel® PCIe GbE, USB 3.0, SATA 6Gb/s, iRIS-1010, Audio and RoHS
iRIS-1010-R10	IPMI 2.0 adapter card with AST1010 BMC chip (W/O KVM over IP function) for PCIe Mini socket interface
19800-000300-100-RS	RS-232 cable with bracket
19800-003100-300-RS	Dual USB 2.0 cable
19800-010500-100-RS	USB 3.0 cable with bracket, 457mm
32000-023800-RS	KB/MS Y cable
32205-003800-100-RS	RS-422/485 cable, 200mm
DP-DP-R10	DisplayPort converter board (for IEI iDP connector)
DP-DVI-R10	DisplayPort to DVI-D converter board (for IEI iDP connector)
DP-HDMI-R10	DisplayPort to HDMI converter board (for IEI iDP connector)
DP-LVDS-R10	DisplayPort to 24-bit dual-channel LVDS converter board (for IEI iDP connector)
DP-VGA-R10	DisplayPort to VGA converter board (for IEI iDP connector)
TPM-IN01-R11	20-Pin Infineon TPM module, software management tool, firmware V3.17