

Industrial Monitor DM & SRM Series

10.4", 12.1", 15", 17", 18.1"

LCD Monitor

With the auto-dimming function, the display's brightness will automatically adjust to the light source.

Main Features

- SRM: Sun-Readable Monitor with high luminance
- Aluminum front panel is available for a harsh environment
- Plastic front panel provides a light & economical solution.
- Auto-Dimming function available with aluminum front panel for SRM Series
- Analog VGA Input

IEI's Sun Readable Monitors with enhanced ultra-high brightness TFT LCD color panels comes in three sizes and with our proprietary direct edge lighting and backlighting techniques. Our Sun Readable Monitors are available from 700 to 1750 units and comes with up to 16.7 million colors. These products are modeled to handle outdoor applications, such as KIOSK, ATMs, and car navigation systems...etc.

NEW



Model	DM-104	DM-121-R2 / SRM-121A	DM-150 / SRM-150A	DM-170 / SRM-170A	DM-181-AL	
Display Area	10.4"	12.1"	15"	17 "	18.1 "	
Display Type	SVGA TFT	SVGA TFT	XGA TFT	SXGA TFT	SXGA TFT	
Max. Resolution	800 x 600	800 x 600	1024 x 768	1280 x 1024	1280 x 1024	
Luminance (cd/m ²)	250	250 (DM-121) 1308 (SRM-121)	250(DM-150) 1750 (SRM-150)	250 (DM-170) 700 (SRM-170)	250	
Color	262K	262K	262K	16.7M	16.7M	
LCD MTBF	50000 hrs	50000 hrs	50000 hrs	50000 hrs	40000 hrs	
Backlight MTBF	25000 hrs	50000 hrs / 30000 hrs	50000 hrs / 30000 hrs	50000 hrs / 30000 hrs	25000 hrs	
Electronic Items						
VGA Input Interface	DB15	DB15	DB15, DVI-I	DB15, DVI-I	DB15, DVI-I	
Frequency	Horizontal	60~65 KHz	25~65/ 50~58 KHz	30~80/ 55~60 KHz	45~80/ 55~60 KHz	15~64 KHz
	Vertical	60~75 Hz	56~85 Hz	60~75/ 50~75 Hz	60~75/ 50~75 Hz	55~60 Hz
Power Input Rating	12VDC	12VDC	12VDC or 24VDC	12VDC or 24VDC	12VDC or 24VDC	
Control Button	Language	English	English	English	English	English
	Function	OSD Control, Positions	OSD Control, Positions	OSD Control, Positions	OSD Control, Positions	OSD Control, Positions
Mechanical Items						
Dimension	312 x 242 x 54.9 mm	340 x 260 x 52.7 mm (DM-121) 340 x 260 x 65.6 mm (SRM-121)	410 x 309 x 55.7 mm (DM-150) 410 x 309 x 65.1 mm (SRM-150)	452 x 355.5 x 60.8 mm(DM-170) 452 x 355.5 x 80.8 mm(SRM-170)	482 x 395 x 68.5 mm	
Construction	Plastic Front Panel	Plastic or Aluminium Front Panel	Plastic or Aluminium Front Panel	Plastic or Aluminium Front Panel	Aluminium Front Panel	
Mounting Configuration	19" Rackmount, Wallmount, Panelmount (front), Swivel Arm (VESA 75/100mm)	19" Rackmount, Wallmount, Panelmount (front), Swivel Arm (VESA 75/100mm)	19" Rackmount, Wallmount, Panelmount (front), Swivel Arm (VESA 75/100mm)	19" Rackmount, Wallmount, Panelmount (front), Swivel Arm (VESA 75/100mm)	Wallmount, Panelmount (front), Swivel Arm (VESA 75/100mm)	
Weight (NET/ GW)	2.5 kg / 5 kg	2 kg / 5 kg (DM-121) 4 kg / 6 kg (SRM-121)	4 kg / 8 kg (DM-150) 5 kg / 8 kg (SRM-150)	5 kg / 10 kg (DM-170) 8 kg / 12 kg (SRM-170)	10 kg / 15 kg	
Environment						
Operating Temperature	0° ~ 50°C	0° ~ 50°C (DM-121) 0° ~ 40°C (SRM-121)	0° ~ 50°C (DM-150) 0° ~ 40°C (SRM-150)	0° ~ 50°C (DM-170) 0° ~ 40°C (SRM-170)	0° ~ 50°C	
Storage Temperature	-20° ~ 60°C	-20° ~ 60°C	-20° ~ 60°C	-20° ~ 60°C	-20° ~ 60°C	
Front Panel Protection	meets IP65 / NEMA4	meets IP65 / NEMA4	meets IP65 / NEMA4	meets IP65 / NEMA4	meets IP65 / NEMA4	
Option						
Video Input Interface	N/A	N/A	Composite & S-video	Composite & S-video	Composite & S-video	
Case Color	Dark Blue (Pantone-433C)	Dark Blue (Pantone-433C)	Dark Blue (Pantone-433C)	Dark Blue (Pantone-433C)	Dark Blue (Pantone-433C)	
	White (Pantone-413C)	White (Pantone-413C)	White (Pantone-413C)	White (Pantone-413C)	White (Pantone-413C)	
Touchscreen	T-R104B (Res.)	T-R121B (Res.), T-C121 (Cap.)	T-R151B (Res.), T-C151 (Cap.)	T-R170B (Res.), T-C170A (Cap.)	T-R181B	
ARM	ARM-11	ARM-11	ARM-11	ARM-31	ARM-31	
Rackmount kit (Height)	RK-104 (6U)	RK-121 (8U)	RK-150 (8U)	RK-170 (8.5U)	N/A	

Note: SRM-121A Metal front panel

Industrial Monitor DM & SRM Series

10.4", 12.1", 15", 17", 18.1"
LCD Monitor



Industrial Monitor DM & SRM Series

With the auto-dimming function, the display's brightness will automatically adjust to the light source.

ORDERING INFORMATION

- **DM-104 C** 10.4" LCD monitor with VGA input
- **DM-121 C - M -R2** 12.1" LCD monitor with VGA input
- **DM-150 C - M** 15" LCD monitor with VGA and DVI input
- **DM-170 C - M** 17" LCD monitor with VGA and DVI input
- **DM-181 C - M** 18.1" LCD monitor with VGA and DVI input
- **SRM-121A C - M** 12.1" Sun Readable LCD monitor with VGA input
- **SRM-150A C - M** 15" Sun Readable LCD monitor with VGA and DVI input
- **SRM-170A C - M** 17" Sun Readable LCD monitor with VGA and DVI input

C : Color Code W: WHITE D: Dark Blue
M : Front Panel Material Code AL: Aluminum None: Plastic

Option:

- ARM-11: Flat Panel Monitor Arm Loading capacity from 3kg ~ 6kg for various demands
- ARM-31: Flat panel Monitor Arm Loading capacity from 7kg~14kg for various demands
- Rack mount kit: RK-104, RK-121, RK-150, RK-170
- Touch Screen: T-R104B, T-R121B, T-R151B, T-R170B, T-R181B, T-C121, T-C151, T-C170A

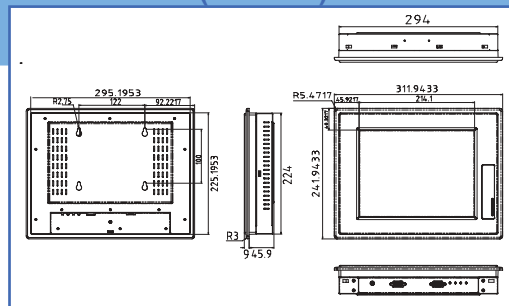
(Capacitive type touch screen is provided with aluminum front panel only)

- CB-DVI-D: DVI-D (M) to DVI -D (M) single link cable

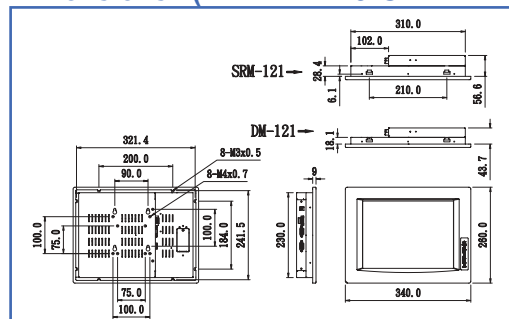
Note: - LCD Measurement Setup: The LCD module should be stabilized at given temperature for 20 minutes to avoid abrupt temperature change during measuring. In order to stabilize the luminance, the measurement should be executed after lighting Backlight for 20 minutes in a windless room.

- 15", 17" Model for video input function, please contact supplier.

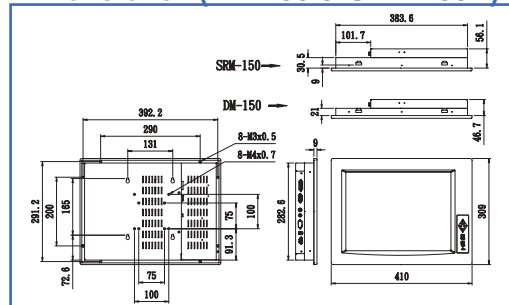
Dimensions : (DM-104)



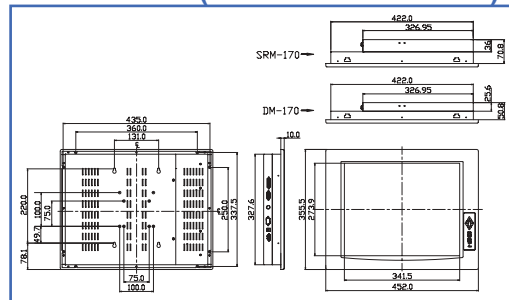
Dimensions : (DM-121-R2 & SRM-121A)



Dimensions : (DM-150 & SRM-150A)



Dimensions : (DM-170 & SRM-170A)



Dimensions : (DM-181-AL)

