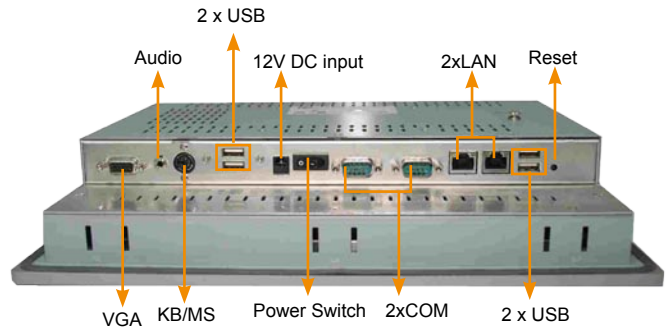


# PPC-2712GS

AMD® Geode LX800 Fanless Panel PC with 12" TFT LCD and Touch Screen



Fanless



## Features

- 12.1" TFT LCD
- AMD Geode™ LX-800 (500MHz) processor
- DDR 333/400MHz SO-DIMM memory up to 1GB
- Dual 10/100Mbps Ethernet
- Fanless and ultra-low power consumption
- Optional 802.11 b/g wireless LAN module
- One Compact Flash Type II socket
- IP 65 compliant aluminum front panel

## AFLMB-LX800

- AMD® LX800 processor embedded board with RoHS compliance
- DDR 333/400MHz SO-DIMM SDRAM up to 1GB
- Complete I/O support with IDE,CFII, dual LAN and 2xUSB2.0, 2xRS-232

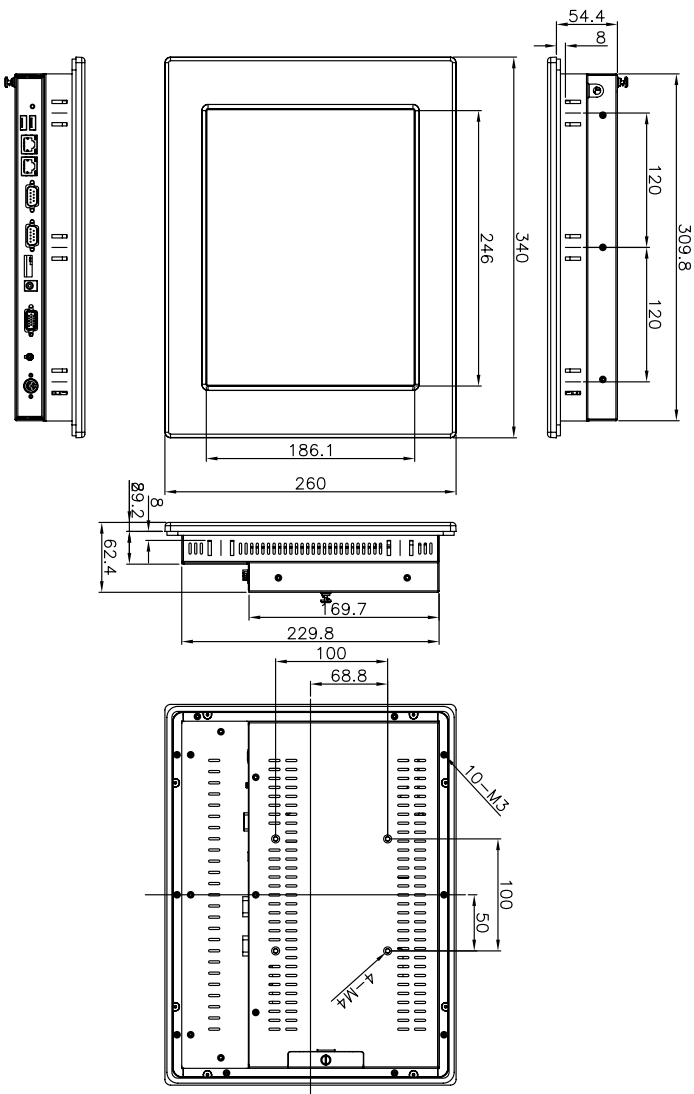


## Specifications

<b>CPU Board</b>	AFLMB-LX800	<b>Touch Screen</b>	Optional 5-wire resistive type with RS-232 interface.
<b>CPU</b>	AMD® Geode LX800	<b>Power Supply</b>	- AC adapter - 45W, 63000-UP0451E12P81L-RS - Input: 90 ~ 240VAC @ 50/60Hz, Output: 12VDC
<b>Chipset</b>	AMD LX 800 + CS5536	<b>Operating Temperature</b>	0 °C~ 50°C.
<b>Memory</b>	1 x DDR 333/400MHz SO-DIMM socket up to 1GB	<b>Storage Temperature</b>	-20°C ~ 60°C.
<b>VGA</b>	AMD® Geode LX800	<b>Vibration</b>	- 5~17Hz 0.1" double amplitude displacement - 17~640 Hz 1.5G acceleration peak to peak
<b>SSD</b>	CF Type II	<b>Shock</b>	10G acceleration peak to peak. (11ms)
<b>Drive Bay</b>	- 1 x 2.5" SATA/IDE HDD bay	<b>Relative Humidity</b>	5 ~ 95% @ 60°C, non-condensing
<b>Ethernet</b>	Dual RTL8100C 10/100Mbps	<b>Net / Gross Weight</b>	2.8 / 5.7 Kg
<b>Audio</b>	AC '97 2.3 Realtek ALC 203	<b>Dimensions</b>	340(w) x 260(H) x 66(D)mm
<b>I/O</b>	- 2 x RS-232 ports - 4 x USB 2.0 ports - 1 x PS/2 ports (KB/MS) - 1 x VGA out - 2 x LAN - 1 x Audio (Line-out) - 1 x IDE	<b>LCD</b>	- Resolution :1024 x 768 SXGA - Brightness : 450 cd/m <sup>2</sup> - Contrast Ratio : 700:1 - Viewing Angle (H-V):160/160 - Backlight MTBF : 30000hrs
		<b>Front Panel Protection</b>	IP 65 Compliant
<b>Expansion</b>	Mini PCI for 802.11 b/g wireless LAN module (optional)	<b>Certificate</b>	Meets CE / FCC

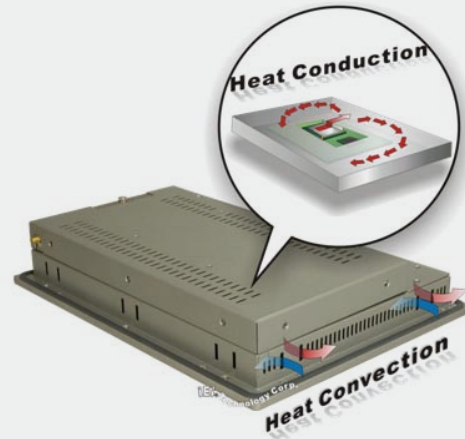
- Single Board Computer
- VIDEO CARD
- Xscale Solutions
- Open HMI
- Universal Controller
- DINO BLADE
- LCD Product Series
- Embedded System
- Industrial Computer Chassis
- Power Supply
- Peripherals

## Dimensions

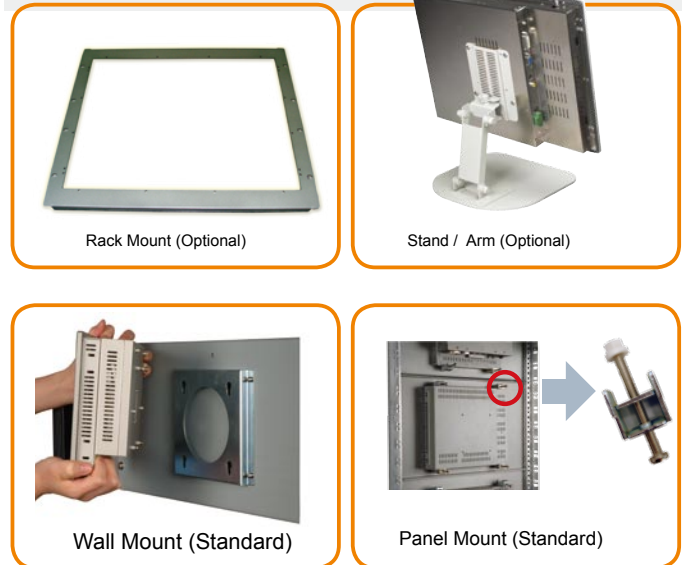


## Fanless system

The PPC-2710G and PPC-2712G are designed with an AMD LX-800 platform. The AMD Geode LX 800 generates less heat than other processors but maintains an above-average performance enabling a fanless design. A fanless design reduces the failure caused by fans and extends the operation life of the device.



## IQ mount supporting list



## Packing List

Part Number	Description	Amount
19600-000207-RS	Screw Kit	1
32000-000002-RS	Power Cable	1
33100-000033-RS	Jumper Pack	1
32000-000138-RS	PS/2 Cable	1
63000-FSP0601AD101C712-RS	Power Adapter 63000-FSP0601AD101C712-RS	1
	User Manual & Driver CD-ROM	1
PK-121M	Panel Mounting Kit	1
WK-121MS-R10	Wall Mounting Kit	1

## Options

RK-121MS-R10	Rack mount kits
ARM-11-RS	LCD Monitor Arm
STAND-100-RS/STAND-A12	LCD Monitor Stand
<b>DDR SO-DIMM :</b>	
79300-M256-041-RS	256MB PROMOS ROHS
79300-M256-043-RS	256MB INFINEON ROHS
79300-M512-050-RS	512MB UNIGEN ROHS
79300-M512-049-RS	512MB SIS ROHS
79300-M512-032-RS	512MB SAMSUNG ROHS

## Ordering Information

PPC-2712GS/AFLMB-LX-800	12.1" TFT Panel PC with AFLMB-LX-8 Silver Color, RoHS
PPC-2712GS/AFLMB-LX-800/T-R	12.1" TFT Panel PC with AFLMB-LX-800, Silver Color & Touch Screen, RoHS
PPC-2712GS/AFLMB-LX-800W/T-R	12.1" TFT Panel PC with AFLMB-LX-800, Silver Color, 802.11b/g Wireless module and Touch Screen, RoHS

1 Single Board Computer

2 VIDEO CARD

3 Xscale Solutions

4 Open HMI

5 VITO Universal Controller

6 DINO BLADE

7 LCD Product Series

8 Embedded stem

9 Industrial computer assis

10 Power Supply

11 Peripherals