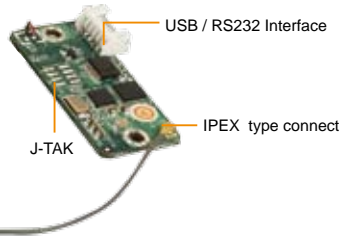


IRFR-100 13.56 MHz industrial RFID reader module (IRFR) with support for ISO-15693



Features

- 13.56 MHz radio frequency Industrial RFID reading module
- Supports standard protocol ISO-15693 for vicinity card applications reads multiple tags simultaneously
- Tag compatibility : TI , ST , Philips , Tag-it, HF-EPC
- Reader to reader anti-collision
- Reads and writes tags with up to 2Kb
- Single power supply and low power consumption
- Various interfaces to main system
 - 115.2 Kbps maximum serial communication speeds
 - USB

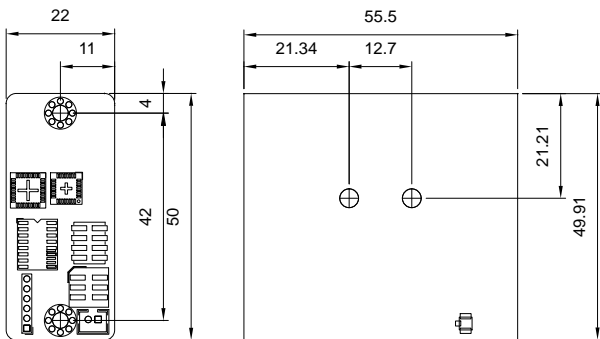
Specifications

System hardware

- ◆ Support protocol ISO15693
- ◆ RF frequency 13.56 MHz
- ◆ RF data rate 6.62 kbps for ISO-15693
- ◆ Baud rate 9600 Kbps ~ 115,200 Kbps
- ◆ Power consumption 5 V @ 150 mA
- ◆ Operating distance 10 cm

- ◆ Interface RS-232 or USB
- ◆ Operating temperature 0°C ~ 60°C
- ◆ Operating humidity 10% ~ 85% RH
- ◆ Tag compatibility TI , ST, Philips , Tag-it , HF-EPC
- ◆ Driver support Windows XP, Windows XPe and Windows CE 5.0

Dimensions (mm)



Packing List

- 1 x IRFR-100
- 1 x Utility CD including SDK, utilities, and technical documents
- 1 x USB / RS-232 Y cable
- 1 x IPEX type antenna module

Ordering Information

Part No.	Description
IRFR-100-R10	13.56 MHz industrial RFID reader module (IRFR) with support for ISO-15693

IRFD-100 13.56 MHz industrial RFID reader device (IRFD) with support for ISO-15693



Features

- 13.56 MHz radio frequency Industrial RFID reading module
- Supports standard protocol ISO-15693 for vicinity card applications reads multiple tags simultaneously
- Tag compatibility : TI , ST , Philips , Tag-it, HF-EPC
- Reader to reader anti-collision
- Reads and writes tags with up to 2Kb
- Single power supply and low power consumption
- Various interfaces to main system
 - 115.2 Kbps maximum serial communication speeds (with Adapter)
 - USB

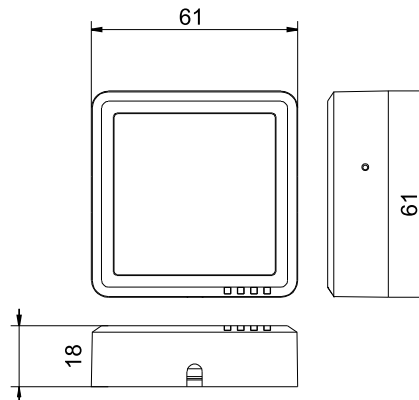
Specifications

System hardware

- ◆ Support protocol ISO15693
- ◆ RF frequency 13.56 MHz
- ◆ RF data rate 6.62 kbps for ISO-15693
- ◆ Baud rate 9600 Kbps ~ 115,200 Kbps
- ◆ Power consumption 5 V @ 150 mA
- ◆ Operating distance 10 cm

- ◆ Interface RS-232 or USB
- ◆ Operating temperature 0°C ~ 60°C
- ◆ Operating humidity 10% ~ 85% RH
- ◆ Tag compatibility TI , ST, Philips , Tag-it , HF-EPC
- ◆ Driver support Windows XP, Windows XPe and Windows CE 5.0

Dimensions (mm)



Packing List

- 1 x IRFD-100
- 1 x Utility CD including SDK, utilities, and technical documents
- 1 x USB / RS-232 Y type cable
- 1 x Adapter (US type) 8W, 1.6A@5V

Ordering Information

Part No.	Description
IRFD-100-R10	13.56 MHz industrial RFID reader device (IRFD) with support for ISO-15693

1 Application Server Platform

2 Single Board Computer

3 IBX Series POS PC

4 AFOLUX POS Panel PC

5 Video Capture Card

6 KAMIO RISC

7 IOVU Open HMI

8 VITO Universal Controller

9 DINO BLADE

10 LCD Product Series

11 Embedded System

12 Industrial Computer Chassis

13 Power Supply

14 Peripherals