

IMK-571R MiniKiosk

The best choice to connect with your customer



Features

- RMI Alchemy MAE multimedia platform with 5.7" VGA touch panel and stereo speaker
- Support PoE (Power Over Ethernet) agile deployment
- Wide-angle, illumination 1D/2D barcode engine
- Wired/unwired network connectivity support
- Default 2GB MiniSD for data storage



Interact with your customer

IEI IMK-571R MiniKiosk is a space-saving device specially designed for slim front-end information access and customer interaction in your retail environment which is suitable for various applications. Now, no extra service and waiting is needed, customers can check the price, obtain product information through multimedia and even get a real-time promotion message by themselves through a simply scan of product barcode or convenient touch panel interface. This can greatly assist you to reduce unnecessary service effort, draw potential sales opportunity and maximize customer satisfaction and profit.

On-site information access

In addition to customer service, IMK-571R can also improve operation efficiency by enabling on-site employee easy access and update necessary product and inventory information.

Powerful hardware design in compact size

With compact size, PoE (Power-Over-Ethernet) power supply function and low thermal design, IMK-571R is the most cost-effective solution with easy deployment and maintenance for your IT staffs. Empowered by RMI Alchemy Au1250 microprocessor with MAE (Multimedia Acceleration Engine), IMK-571R achieves great performance in its versatile multimedia support including most available video and audio types (MPEG1/2/4, DivX and WMV9).

Easy data and program management

To support possibly volume of product data and video content, IMK-571R offers a default 2GB large capacity miniSD storage space and a variety of connectivity. You can manage your data, multimedia content and applications via embedded LAN, WLAN or RS-232 connection or even miniSD card.

Software development support

IMK-571R software development kit (SDK) includes most useful functions and makes software development easier and faster than ever. It includes comprehensive demonstration source code and document for most web application develop environment.

Maximize customer satisfaction and ROI

IMK-571R is not only a multimedia self-service device but means a brand new connection between you and your customers. Now you can talk to your customers, interact with them and even collect their behavior information just in this simple machine without spending extra on-the-spot service effort. IMK-571R provides customers a new, delightful shopping experience and improves their satisfaction and loyalty, and maximizes your business profit and ROI.

Applications



Self-service

- Allow customer to check price, obtain product related information or even motivate them by providing promotion message



Customer Loyalty program

- Customer can access their loyalty card to see their accumulated credit and reward programs

Advertising

- Play multimedia video to attract attention of customers and make shopping more interesting
- In DVD rental store, customers can watch movie preview by scanning DVD barcode



Production Line information

- Operator can scan barcode on WIP carrier to get production information and update the production status





IMK Runtime Demo

IMK Runtime Demo:

IMK Runtime Demo is a pre-installed application which helps user quick experience functions of IMK-571R

Product Inquiry:

In this mode, user can scan pre-defined product barcode and display relative product information, user can check barcode type here as well

Receipt Print:

Use Print button to print a receipt which is queried at product inquiry mode

Access Control:

Access control allows users to read magnetic card and display pre-defined personal information



Main Menu



Product Inquiry



Access Control



Receipt Print

IMK Merchandise Manager

IMK Merchandise Manager:

IMK Merchandise Manager provides a friendly interface for administrator to maintain and manage product information on IMK-571R in the network

Find IMK-571R in your network:

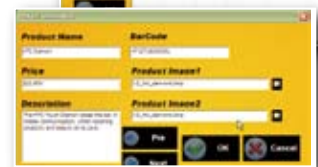
Use Find IMK-571R to search and list all available IMK-571R in the network. The select IMK-571R which want to upload or download product information file.

Upload/Download Product information File:

When execute download command, IMK Merchandise will grab product information file from selected IMK-571R at previous step and generate local sub folders with different device names. Oppositely, when execute upload, IMK Merchandise will transfer product information file in sub folders named by the device name onto relative IMK-571R

Edit Product Information:

User can select and open product information file (*.xml) to edit. In editing mode, user can add, remove product items or edit product details and save the change after the editing is done. Then use 'Apply to all' to generate sub folders named by selected IMK-571R device names and imitate product information file with the edited content into the folders



IMK Web Configurator

IMK Web Configurator is a Web-based utility which allows users to access IMK-571R and modify the settings via web browser interface anytime, anywhere without any PC client application installed. It makes management of IMK-571R in the network very easy and convenient for IT administrator and minimize time and cost for system maintenance.

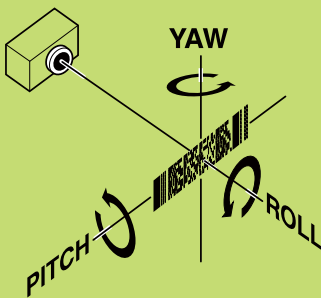
- **System Setting:** User can inquire system information and set up Ethernet and Wireless parameters in system setting Remote restart option allows users to restart the system once any abnormal circumstance occurs and a restart procedure is needed
- **Barcode Setting:** User can adjust universal barcode parameters and variable of various barcode types in barcode settings page, the available setting items in the page will auto change when a specific barcode type at left side is selected. User can also use 'Factory default' function to recover all settings to default when needed



Barcode capability

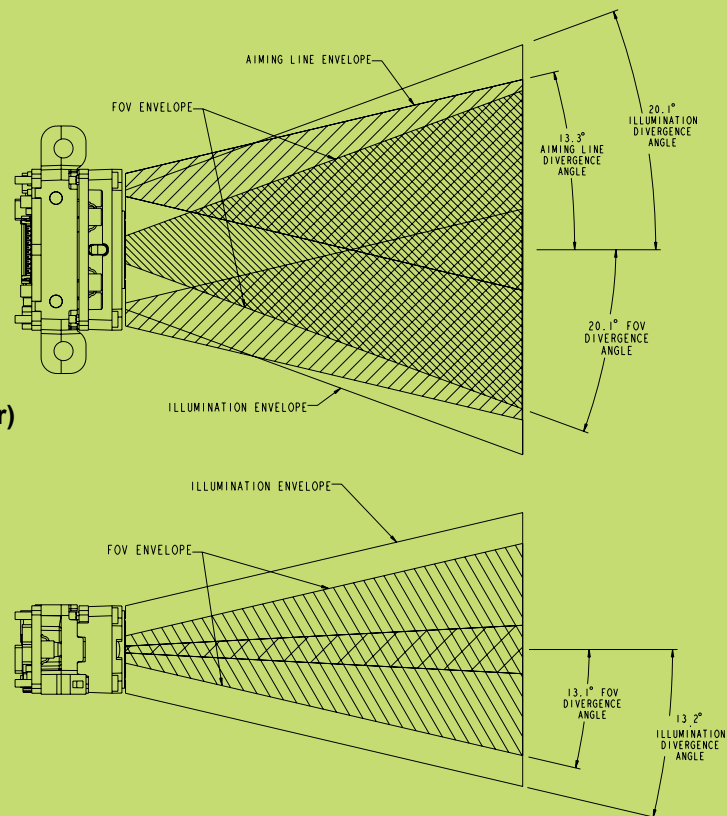
IMK-571R equips with leading scanner engine Metrologic IS4920. IS4920 is a decoded miniature area imaging scan engine designed to scan 1D and 2D bar codes. It features a mega pixel imaging sensor, a wide angle lens design, integrated illumination and aiming, and industrial leading decoding software and delivers a fast and aggressive scanning performance

Features	Benefits
Powered by Adaptus® Imaging Technology	Adaptus Imaging Technology delivers leading technologies and embodies Honeywell continuous commitment to providing superior data capture solutions
Point-and-Shoot Scanning Ease of Use:	Available in high visibility LED and laser aimer versions makes reading linear and full matrix codes quick and easy with industry-leading motion tolerance, low light sensitivity, and broad depth of reading Distances
Durable	Incorporate industrial grade image sensor technology and are designed with no moving parts, these imagers can withstand rugged applications
Decoding	Read all major linear, stacked linear, and matrix bar codes, as well as machine-readable OCR fonts, quickly and Easily
Fifth Generation Image Processing	Industry-leading image processing performance. In addition to reading bar codes well, these products also capture crisp digital images.



Barcode Reading Angles		
Pitch	Skew	Tilt
40° @ 0° tilt and 0° skew	40° @ 0° tilt and 0° pitch	360° @ 0° pitch and 10° skew
PS : The scanner may not operate under conditions of specular reflection: +/- 5° (assuming Pitch & Skew @ 0° tilt only)		

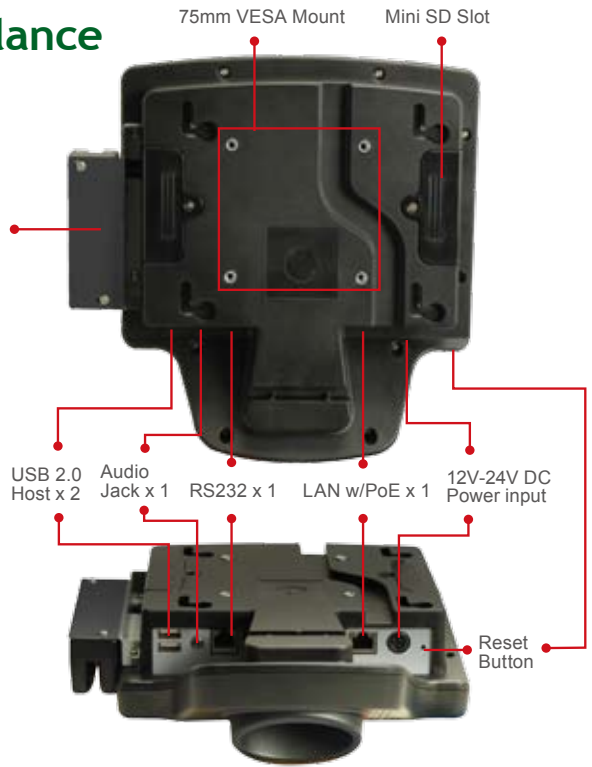
Window Size Diagram (Laser Aimer)



Bar Code Element Width			Depth of Field(In the Field of View)		
			Start (From Engine Face)	End (From Engine Face)	Total
1D(Code 39)	.203 mm	8 mil	89 mm (3.5")	193 mm (7.6")	104 mm (3.1")
	.254 mm	10 mil	81 mm (3.2")	234 mm (9.2")	153 mm (6")
	.381 mm	15 mil	53 mm (2.1")	325 mm (12.8")	272 mm (10.7")
PDF417	.168 mm	6.6 mil	114 mm (4.5")	159 mm (6.25")	45 mm (1.75")
	.254 mm	10 mil	79 mm (3.1")	229 mm (9.0")	150 mm (5.9")
Data Matrix	.381 mm	15 mil	58 mm (2.3")	259 mm (10.2")	201 mm (7.9")



IMK-571R in a glance

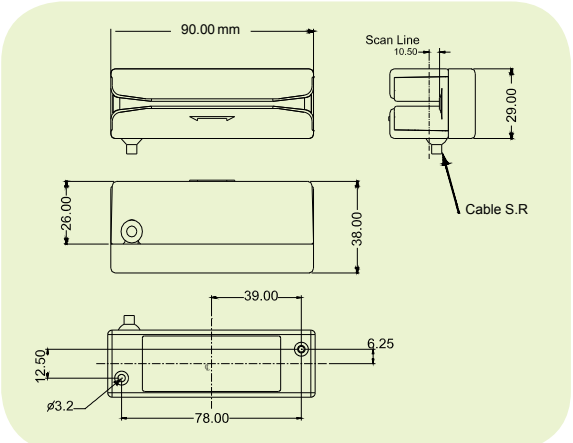
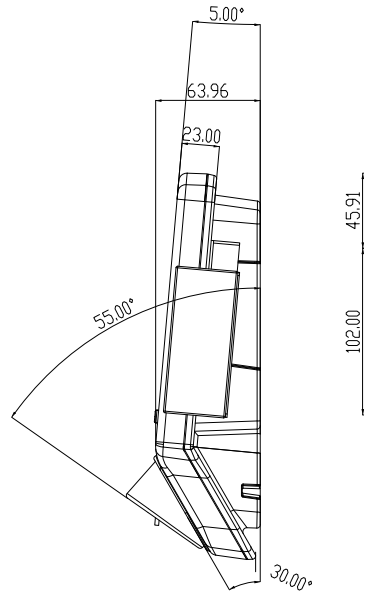
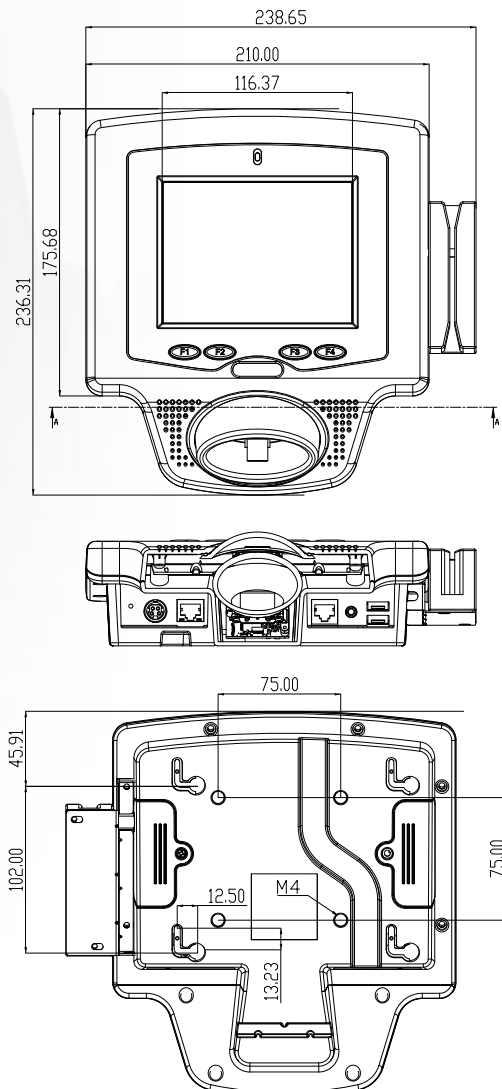


1D/2D Barcode Scanner

Wall Mount

Requires no cut out in the wall surface. It mounts directly on the existing wall or desk.

Dimensions





Specifications

Core System

- RMI Alchemy AU1250 500MHz CPU
- 2MB NOR Flash for bootloader
- 256MB DDR2
- miniSD slot with default 2GB miniSD memory card for OS and user data/program
- Watch Dog Timer

Display

- 5.7" VGA TFT Touch panel LCD with LED backlight
- Resistive Type 4-Wire Touch Screen

Data input and display

- Power LED
- Function keys x 4
- 1D/2D barcode scanner
- Reset button x 1
- MSR (IMK-571R-CE5/MSR-R10 Only)

Connectivity

- 10/100Mbps Ethernet with onboard POE design
- Built-in WiFi 802.11 b/g
- RS-232 x 1
- USB host Rev. 2.0 x 2
- Stereo Audio Jack x 1
- Stereo Speaker x 2

Physical Specification

- Operation Temperature : 0°C-50°C
- Humidity : 5%-90% RH

Power

- 1 x 12-24V DC Power Input
- 8W Power Consumption

OS

- Windows® CE 5.0
- Built-in web server
- Built-in RDC (Remote Desktop Connection) Thin Client support
- SDK for eMbedded Visual C++

Utility

- IMK Web Configurator
- IMK Remote Management Tool
- IMK Merchandise Manager

Demo

- IMK Runtime Demo Application



Ordering Information

Part Number	Description
IMK-571R-CE5/-R10	RISC-BASED MINI KIOSK PANEL PC, ALCHEMY AU1250 CPU, 5.7" TFT TOUCH PANEL, HONEYWELL IT5180 1D/2D BARCODE SCANNER, WIFI B/G, ON BOARD POE, W/O MAGNETIC STRIPE READER, WINCE5.0, RoHS
IMK-571R-CE5/MSR-R10	RISC-BASED MINI KIOSK PANEL PC, ALCHEMY AU1250 CPU, 5.7" TFT TOUCH PANEL, HONEYWELL IT5180 1D/2D BARCODE SCANNER, WIFI B/G, ON BOARD POE, W/ MAGNETIC STRIPE READER, WINCE5.0, RoHS
AFLWK-12	VESA 75 wall mount kit

Packing List

1 x IMK-571R	1 x Utility CD includes SDK, utilities, and technical document
1 x 9-pin RS-232 cable	1 x Touch pen
1 x Screw kit	