



# All-in-one Display Console

ALOHA-W10A Wide 10.2" All-in-One Display Console

ALOHA-12A Advanced 12.1" All-in-One Touch Display Console

*All-in-One Compact Portable Design!*



*Rugged Metal Baby!*



World's First All-in-One Display Console  
Laptop design display console integrated with touch panel, keyboard, touchpad, webcam, microphone, speakers, earphone and 5 USB ports

Get rid off cables, easy to install via VGA/DVI/USB cables

Compact Portable Design

VESA Mounting Compliant

Rugged Aluminum Die-casting base

*Easy Connection with System!*



Embedded System  
IBX-530-ATOM



Book Size Embedded System  
IBX-700-9103



Industrial Universal Controller  
VITO-2100

# ALOHA All-in-One Display Console

**ALOHA-W10A : Wide 10.2" DVI / VGA / USB KVMA Display Console**

**ALOHA-12A : 12.1" DVI / VGA / USB KVMA Touch Display Console**

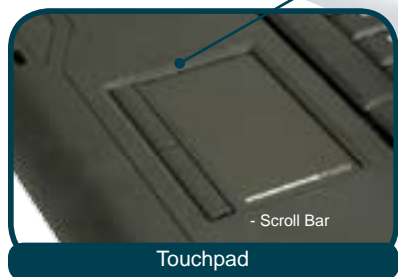
The ALOHA all-in-one display console is the world's first 7-in-1 display console, with a 12.1" touch control unit that allows access to single computer via the VGA/DVI/USB KVMA (keyboard, video, mouse, audio) console. The ALOHA all-in-one display console helps you save hundreds of dollars in equipment, space, and power costs. There is no need to have additional peripherals for the system.

ALOHA All-in-One Display Console

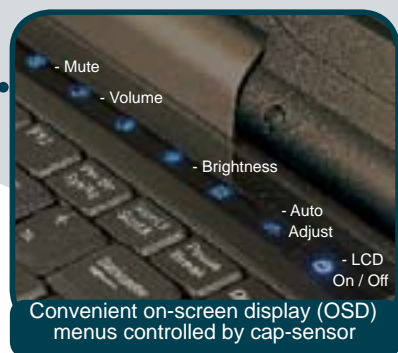


**Ruggedized Die-casting base !**

Two 1.5W Integrated Speakers



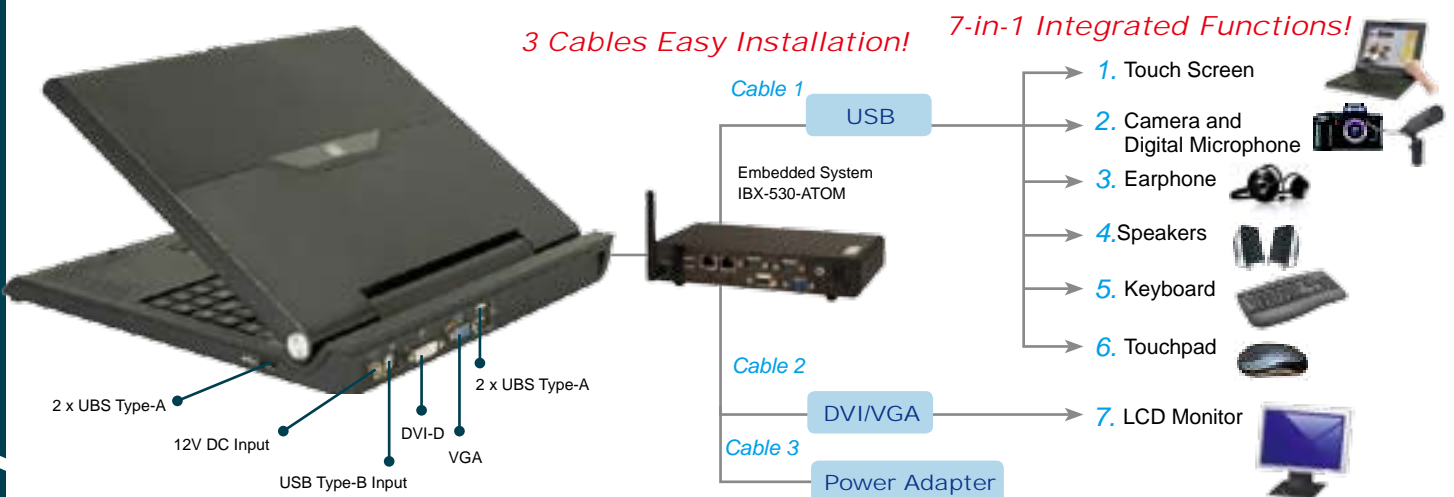
The ALOHA display console could be a 5-port USB 2.0 hub which optimizes the use of the single USB port by splitting it into five additional USB 2.0 ports (two on the front, one on the side and two on the rear) for multiple USB devices.



**Features:**

- 12.1"/10.2" Portable Compact Design
- 7-in-1 Display Console
  - (1) 10.2" Widescreen (16:9) TFT LCD /12.1" TFT LCD with resistive touch screen (Touch Optional)
  - (2) 87-keys Keyboard and TouchPad
  - (3) 300K pixel camera allows to take photos and live video communication
  - (4) Digital microphone
  - (5) Embedded two 1.5W speakers can support alarm warning notice or audio application
  - (6) 5 USB ports built in allow many USB devices to be connected
  - (7) Earphone jack for private listening
- 3 Cables Easy Installation
  - (1) USB on a single cable supports 7 functions
  - (2) Analog VGA and digital DVI interface support most of general system
  - (3) Lockable power adapter
- Convenient OSD settings by cap-sensor
- Hot Pluggable- Add or remove computer without having to power down the switch
- Standard support of English version keyboard Optional Japanese, German, French, Italian version keyboard support.

## Diagram:



Various Applications:



# Administration Center

The single port display console allows to connect to the multi-port KVM switch to be the flexible LCD KVM console in the server applications.

### ► Main Features

- Light weight : easy to install by single labor
- Touch panel : easy to control the system
- Touch OSD functions on the keyboard : users can easily configure monitor functions.
- Compact size improves the internal space efficiency of existing cabinets
- Easy wiring via VGA/DVI and USB cables decreases the installation time
- 300K pixel camera up to VGA resolution (640 x 480) with digital microphone allows users to monitor via a web cam video or do the video conferencing and interactive distance learning in the factory automation field.

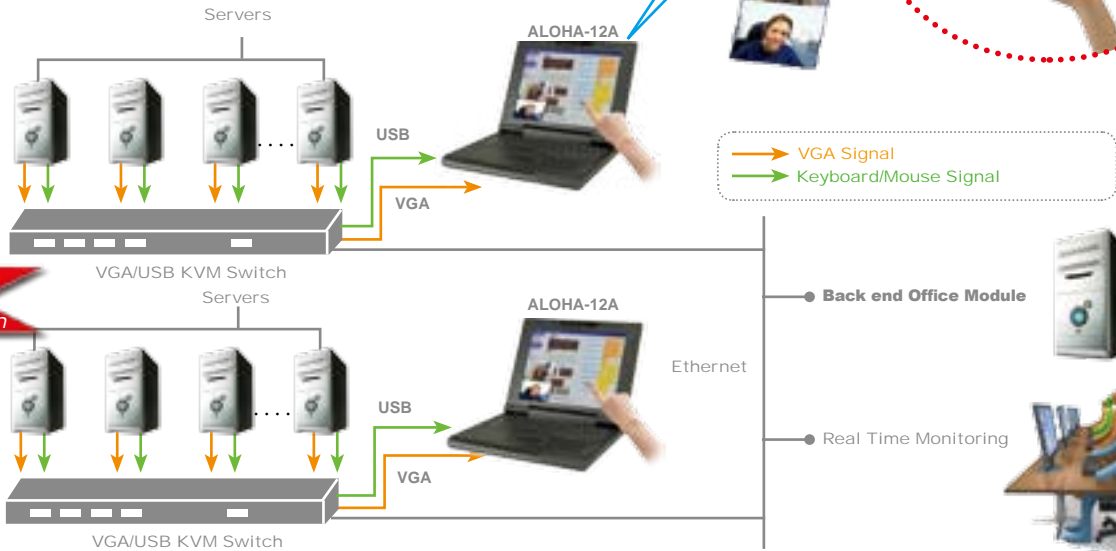
300K Webcam with Digital Microphone

No special driver is needed under Windows environment.

Compact! Easy to Deploy!



### ► Diagram

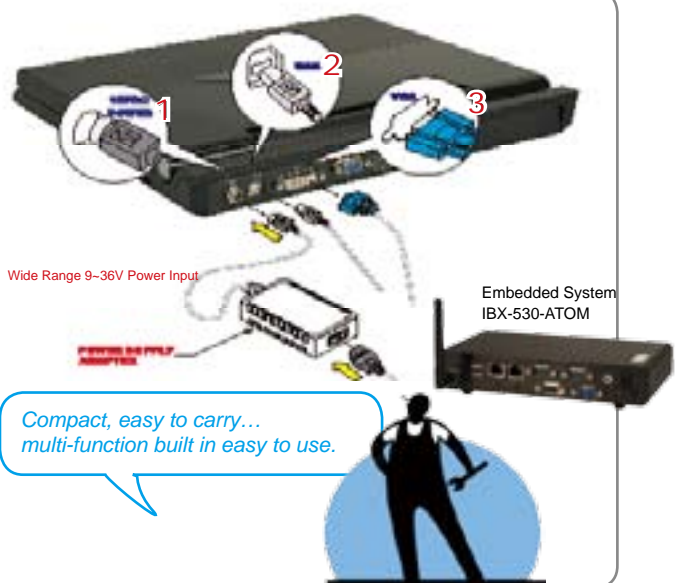
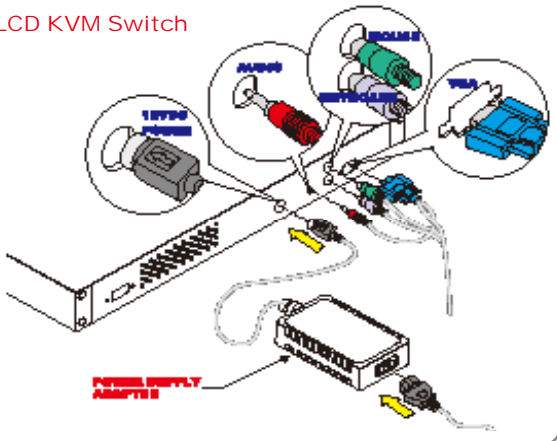


# Repair Maintenance Tool

General maintenance and repair workers often carry out several different tasks in a single day, at any number of locations. The compact all-in-one console allows the workers to carry it comfortably, to do the system maintenance, especially to those embedded systems which are difficult to dismantle.

Easy wiring via VGA/DVI and USB cables decreases the installation time!

### Typical LCD KVM Switch



# Easy Connection with Embedded Systems



## Shop Floor

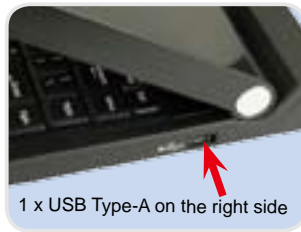
Each cart is equipped with an embedded PC device with Barcode readers connected through wireless LAN to a server application. The software on the cart terminals offers real time information to the human operator

### ► Main Features

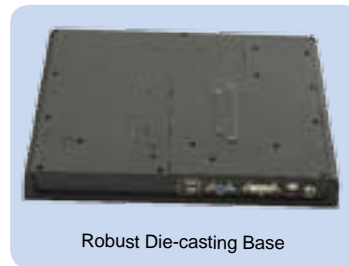
- Multiple USB 2.0 ports easily connect to the devices
- 75/100 VESA mount compliance allows easily used in any applications, such as wall mounting, stand and arm.



*5 USB ports extend the system functions!*



*Install Anywhere with Adjustable FLAT VESA ARM!*



# Access Control Gate



As the mobile repair kit, compact 10.2" and 12.1" ALOHA console units contain everything. Operators can only carry one compact and mobile ALOHA unit instead of traditional separated peripheral devices.

- Mobile Repair Tool Kit
- Compact
  - Multi functions all-in-one



## New Embedded Platform Solutions for 2009

### ECW-281B-ATOM

Intel® Atom™ Fanless Solution with Hard Drive Support

### IBX-530-ATOM

Fanless Intel® Atom™ Embedded System



#### Features

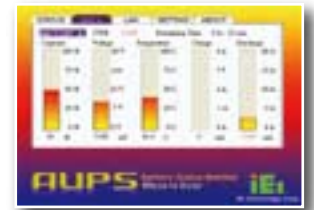
1. Intel® Atom™ N270 1.6GHz fanless system
2. Four USB 2.0, six COM ports for peripheral devices
3. Dual GbE LAN Ideal for high speed network application
4. Storage support for both CompactFlash and SATA hard drive
5. 12 VDC, 9 VDC ~ 36 VDC input models available

#### Features

1. Intel® Atom™ N270 1.6GHz solution
2. Intel® Graphics Media Accelerator 950 for better graphic performance
3. Supports Hyper-Threading Technology
4. Fan-less operation under -10°C to 50°C

### IBX-600-ATOM

Mini ITX Intel® Atom™ Solution with AUPS Smart Battery Support



#### Features

1. Intel® Atom™ N270 1.6GHz Mini ITX solution
2. Supports Slim ODD, 2.5" hard drive and CompactFlash
3. UPS function by Li-ion battery with easy assembly design
4. Built-in 802.11b/g wireless with FIPA antenna
5. 12VDC~24VDC wide range input

IEI Smart Battery Monitoring Software. Can support remote monitoring from RJ45.

# Embedded System Selection Guide

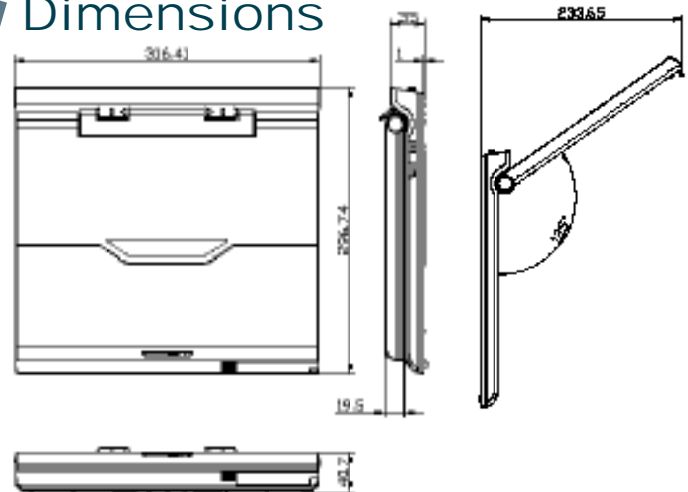
	Model no.	Index	MB model no.	Processor	Chipset	Display	Ethernet port	Ethernet speed	USB	LPT	
<b>AMD</b>	Fanless 3.5"	ECW-181BLX2	11-21	WAFER-LX2	AMD® Geode™ LX800 500 MHz	AMD® CS5536	VGA	1	10/100M	4	
	Fanless	IBX-500A	11-31	AFLMB-LX	AMD® Geode™ LX800 500 MHz	AMD® CS5536	VGA	2	10/100M	2	
	Fanless 4"	IBX-100-LX2	11-29	NANO-LX2	AMD® Geode™ LX800 500 MHz	AMD® CS5536	VGA	2	10/100M	2	
	Fanless 4"	IBX-100-GX2	11-29	NANO-GX2	AMD Geode™ GX466 333 MHz	AMD® CS5536	VGA	1	10/100M	2	
	Fanless 3.5"	ECW-180BS1	11-23	WAFER-LX	AMD® Geode™ LX800 500 MHz	AMD® CS5536	VGA	2	10/100M	2	
	Fanless 3.5"	ECW-181BS1	11-23	WAFER-LX	AMD® Geode™ LX800 500 MHz	AMD® CS5536	VGA	2	10/100M	2	
	Fanless 3.5"	ECW-180BS2	11-23	WAFER-GX	AMD® Geode™ GX466 333 MHz	AMD® CS5536	VGA	2	10/100M	2	
	Fanless 3.5"	ECW-181BS2	11-23	WAFER-GX	AMD® Geode™ GX466 333 MHz	AMD® CS5536	VGA	2	10/100M	2	
	Fanless 3.5"	ECW-180AS1	11-27	WAFER-LX	AMD® Geode™ LX800 500 MHz	AMD® CS5536	VGA	2	10/100M	2	
	Fanless 3.5"	ECW-181AS1	11-27	WAFER-LX	AMD® Geode™ LX800 500 MHz	AMD® CS5536	VGA	2	10/100M	2	
	Fanless 3.5"	ECW-180AS2	11-27	WAFER-GX	AMD® Geode™ GX466 333 MHz	AMD® CS5536	VGA	2	10/100M	2	
	Fanless 3.5"	ECW-181AS2	11-27	WAFER-GX	AMD® Geode™ GX466 333 MHz	AMD® CS5536	VGA	2	10/100M	2	
	m-ITX	ECK-3688GA	11-8	KINO-LX	AMD® Geode™ LX800 500 MHz	AMD® CS5536	VGA	2	10/100M	4	1
	m-ITX	ECK-3699GJ	11-11	KINO-690S1	AMD® Socket S1 Turion™ 64, Turion™ 64x2, Mobile Sempron™ upto 1600 MHz	AMD® RS690+SB600	VGA DVI	2	GbE	6	
<b>Intel</b>	Fanless 3.5"	ECW-281B	11-19	WAFER-8522	ULV Intel® Celeron® M 1 GHz 512KB/zero cache	Intel® 852GM + ICH4	VGA	2	GbE	3/4	
	Fanless	ECW-281B-ATOM		WAFER-ATOM	Intel® Atom® N270 1.6GHz	Intel® 945GSE + ICH7M	VGA	2	GbE	4	
	Fanless 4"	IBX-650A	11-30	ENANO-8523	ULV Intel® Celeron® M 1 GHz zero cache	Intel® 852GM + ICH4	VGA	1	10/100M	3	1
	Fanless	IBX-200-9102G4	8-1	WAFER-LX2	ULV Intel® Celeron® M 1 GHz 512KB cache	Intel 910GMLE + ICH6M	N/A	4	GbE	2	
	Fanless	IBX-530-ATOM		AFLMB-ATOM	Intel® Atom® N270 1.6GHz	Intel 945GSE + ICH7M	VGA	2	GbE	4	
	Fanless	IBX-600-9102		eKINO-9102	ULV Intel® Celeron® M 1 GHz 512KB cache	Intel 910GMLE + ICH6M	VGA	1	GbE	6	
		IBX-600-ATOM		eKINO-ATOM	Intel® Atom® N270 1.6GHz	Intel 945GSE + ICH7M	VGA DVI	2	GbE	6	
	Fanless 4"	ECN-170BSE0	11-17	NANO-8522	Pentium® M 1.6 GHz / Celeron M 1.5 GHz	Intel® 852GM + ICH4	VGA	1	GbE	4	1
	Fanless 4"	ECN-170BSEA	11-17	NANO-8522	Pentium® M 1.6 GHz / Celeron M 1.5 GHz	Intel® 852GM + ICH4	VGA	3	GbE	4	1
	Fanless 4"	ECN-170BSEB	11-17	NANO-8522	Pentium® M 1.6 GHz / Celeron M 1.5 GHz	Intel® 852GM + ICH4	VGA	1	GbE	4	
	Fanless 4"	ECN-170BSEC	11-17	NANO-8522	Pentium® M 1.6 GHz	Intel® 852GM + ICH4	VGA	1	GbE	4	
	Fanless 4"	ECN-171BSE0	11-15	NANO-8522	Pentium® M 1.6 GHz / Celeron M 1.5 GHz	Intel® 852GM + ICH4	VGA	1	GbE	4	
	Fanless 4"	ECN-171BSEA	11-15	NANO-8522	Pentium® M 1.6 GHz / Celeron M 1.5 GHz	Intel® 852GM + ICH4	VGA	3	GbE	4	
	Fanless 4"	ECN-171BSEB	11-15	NANO-8522	Pentium® M 1.6 GHz / Celeron M 1.5 GHz	Intel® 852GM + ICH4	VGA	1	GbE	4	
	Fanless 4"	ECN-171BSEC	11-15	NANO-8522	Pentium® M 1.6 GHz	Intel® 852GM + ICH4	VGA	1	GbE	4	
	Fanless m-ITX	ECK-161BF	11-5	KINO-9452	Socket M Intel® Core™ Duo/Solo with 667 MHz FSB	Intel® 945GM+ICH7M	VGA HDTV	2	GbE	4	
	Fanless m-ITX	ECK-3692GC	11-7		Socket M Intel® Core Duo/Solo with 667MHz FSB	Intel® 945GM + ICH7M	DVI S-Video YPbPr	1	GbE	6	
	Fanless 4"	ECN-171ASI0	11-13	NANO-9453	Socket M Intel® Core™ Duo/Solo with 667 MHz FSB	Intel® 945GM + ICH7M	Dual VGA	2	GbE	2	
	Fanless 4"	ECN-171ASF0	11-13	NANO-9452	Socket M Intel® Core™ Duo/Solo with 667 MHz FSB	Intel® 945GM + ICH7M	VGA HDTV	2	GbE	2	
	m-ITX	ECK-3699GE	11-11	KINO-9454	LGA 775 Intel® Pentium® 4/ Pentium® D with 533/800/1066 MHZ FSB	Intel® 945G+ICH7	VGA	2	GbE	6	
	m-ITX	ECK-1000-9453	11-9	KINO-9453	Socket M Intel® Core™ Duo/Solo with 667 MHz FSB	Intel® 945GM + ICH7M	VGA DVI	2	GbE	4	
	m-ITX	ECK-3699GI	11-11	KINO-9453	Socket M Intel® Core™ Duo/Solo with 667 MHz FSB	Intel® 945GM + ICH7M	VGA DVI	2	GbE	6	
m-ITX	ECK-3699GF	11-11	KINO-9452	Socket M Intel® Core™ Duo/Solo with 667 MHz FSB	Intel® 945GM + ICH7M	VGA	2	GbE	6		
Fanless 4"	DIN-350-4386A	11-25	NANO-4386A	Socket 479 Pentium® M/ Celeron® M CPU	Intel® 852GM + ICH4	VGA	2	10/100M	2		
Fanless 4"	DIN-350-9452	11-25	NANO-9452	Socket M Intel® Core™ Duo/Solo with 667 MHz FSB	Intel® 945GM+ICH7M	VGA	2	GbE	2		
m-ITX	ECK-3688GDX	11-8	KINO-6612	Intel® Celeron® M 1.5 GHz	SIS® 661CX + SIS® 964	VGA	2	GbE	6	1	
Fanless	ulBX-200-VX800			VIA Eden ULV 1GHz	VX800	VGA	1	GbE	4		

## Industrial Grade Design

The ALOHA-12A case is made from ABS/PC cover (Acrylonitrile Butadiene Styrene/Polycarbonate Alloy) and die-casting base, which improves the stiffness over conventional material and makes the system more solid and durable.



## Dimensions



# Specifications

2009.Q1 Release

Model		ALOHA-W10A	ALOHA-12A
Display	LCD Size	10.2"	12.1"
	Resolution	1024x600 (WSVGA)	1024 x 768 (XGA)
	Brightness (cd/m <sup>2</sup> )	400	400
	Contrast Ratio	400:1	500:1
	LCD Colors	262k	262k
	Viewing Angle (H-V)	140°/110°	160°/160°
Connectors	Rear	1 x USB Type-B Input	
		1 x DVI-D	
		1 x VGA	
	Front Panel	2 x USB Type-A	
		1 x Microphone Jack	
		1 x Speaker Jack	
Side	2 x USB Type-A		
Side	1 x USB Type-A		
Camera and Microphone		300K pixel with digital microphone	
Speakers		AMP 2W +AMP 2W	AMP 1.5W +AMP 1.5W
OSD Control		On-screen display (OSD) controlled by cap-sensor	
Power Input		9V~30V	
Environment	Operating Temperature	0~45°C	
	Humidity	5%~95%RH	
Physical Properties	Housing	Metal	
	Weight	N/A	3.16 kg
	Dimensions ( L x W x H ) (mm)	N/A	316.41 x 296.74 x 40.7

## Ordering Information

Model	Description
Wide 10.2" ALOHA-10A- [ L ] -R10	10.2" All-in-One Display Console, black color <b>2009.Q1 Release</b>
12.1" ALOHA-12A- [ L ] /T-R-R10	12.1" Advanced All-in-One Touch Display Console, black color
ALOHA-12A- [ L ] -R10	12.1" Advanced All-in-One Display Console, black color

**[L] Language Code-**

I :Italian	F :French
T :Traditional Chinese	E :English
S :Spanish	J :Japanese
R :Russian	G :German

## Packing List

Item	P/N	Description
USB Cable	32000-091700-RS	USB A TYPE MALE and USB B TYPE MALE (length:1.8M)
VGA Cable	32000-036200-RS	D-SUB 15P MALE (length:1.8M)
Power Adapter	63000-FSP0401ADF03A821-RS	90V~264V;12V;40W(length:1.5M)
Power Cord	32000-000002-RS	EUROPEAN POWER CORD (length:183cm)
Touch Pen	XTR104-0002-RS	
User's Manual and Touch Driver CD-ROM		

## Options

P/N	Description	
32000-115700-RS	DVI cable (length:1.8M)	
DVI	32000-115800-RS	DVI cable (length:5M)
	32000-115900-RS	DVI cable (length:10M)
VGA	32000-036200-RS	VGA cable (length:1.8M)
	32000-077300-RS	VGA cable (length:5M)
	32000-077301-RS	VGA cable (length:10M)
USB	32000-091700-RS	USB A TYPE MALE and USB B TYPE MALE (length:1.8M)
	32000-077400-RS	USB A TYPE MALE and USB B TYPE MALE (length:5M)
	32000-077401-RS	USB A TYPE MALE and USB B TYPE MALE (length:10M)

# ALOHA All-in-One Display Console

## ALOHA-12A

Advanced 12.1" All-in-One Touch Display Console



*Easy Connection with Systems !*



▲ IBX-100



▲ IBX-200



▲ IBX-500



▲ IBX-650



▲ IBX-700



▲ IBX-800



▲ IBX-900



▲ ECK-3688G



▲ ECK-3699G

