

AFL-W19M

AFOLUX 19" Wide WXGA+ Touch Monitor



1
Automation

19-inch Wide 16:10

Sophisticated Black High Reflection Surface



1000:1 High Contrast Ratio,
5ms Fast Response Time

Features

- 19" wide screen TFT LCD with resistive touch panel activated by a stylus, finger or gloved hand
- Ambient Light Sensor detects ambient light for automated screen adjustments to optimize viewing.
- Built-in speakers
- RS-232 or USB touch screen panel (Optional)
- 9~36V DC power input for mobile application (Optional)
- VESA 100 compliant for various mounting applications
- IP64 compliant plastic front panel



Software OSD Control (smartOSD)



Convenient OSD Control



Ambient Light Sensor

The AFOLUX touch monitor has a widescreen 16:10 display, supporting up to 1440x900 (WXGA+) screen resolution. The touch monitor also features high contrast and fast response time. IP64 compliance ensures protection against dust and sprayed water. Supporting both VGA and DVI video inputs makes this monitor ideal for outdoor digital signage and kiosk applications. It is ideal match for the IEI iSignager digital signage player.

2
Point of Service

3
Digital Signage

4
RISC-based Solutions

5
Medical Solutions

1000:1
High Contrast

1000:1 Super High Contrast ratio offers Greater Legibility

5ms
Fast Response Time

Fast moving images without any motion blur

Typical Contrast



1000:1 High Contrast



Typical Response Time



5ms Fast Response Time



Ambient Light Sensor

Built in the ambient light sensor in front of the panel to automatically detect the amount of light in the viewing environment and auto-adjusts the brightness of the screen.

Benefits:

- Avoids eye strain by adjusting to the environment.
- Power saving
- Extend lamp lifetime



Day:
Higher Ambient Luminance

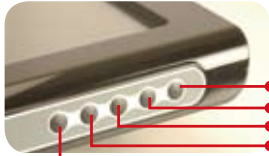


Night:
Lower Ambient Luminance

OSD Control

Intelligently adjusts the screen brightness to match the ambient light in a room, ensuring a comfortable viewing experience. In a dim room, for example, the screen automatically reduces brightness to avoid straining your eyes.

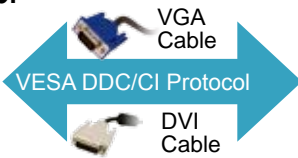
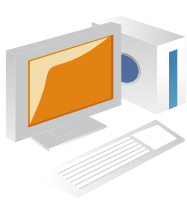
• **Keypad**



- Brightness up
- Brightness down
- Volume up
- Volume down
- LCD On/Off



• **Software Control**



Remote Control Monitor Setting from Software

- EDID Reading
- Image/Color/Display Setting
- Power Management
- OSD Lock/Unlock

Applications



Interactive digital signage



Digital menu boards in numerous restaurants



Video gaming machines in bars and casinos

Wide Screen Monitor Applications

Dual Display for Better Working Environment

Dual screen technology, suitable for industrial applications, enables one screen to be used for operator entries, while the other is used as a display unit for process data.

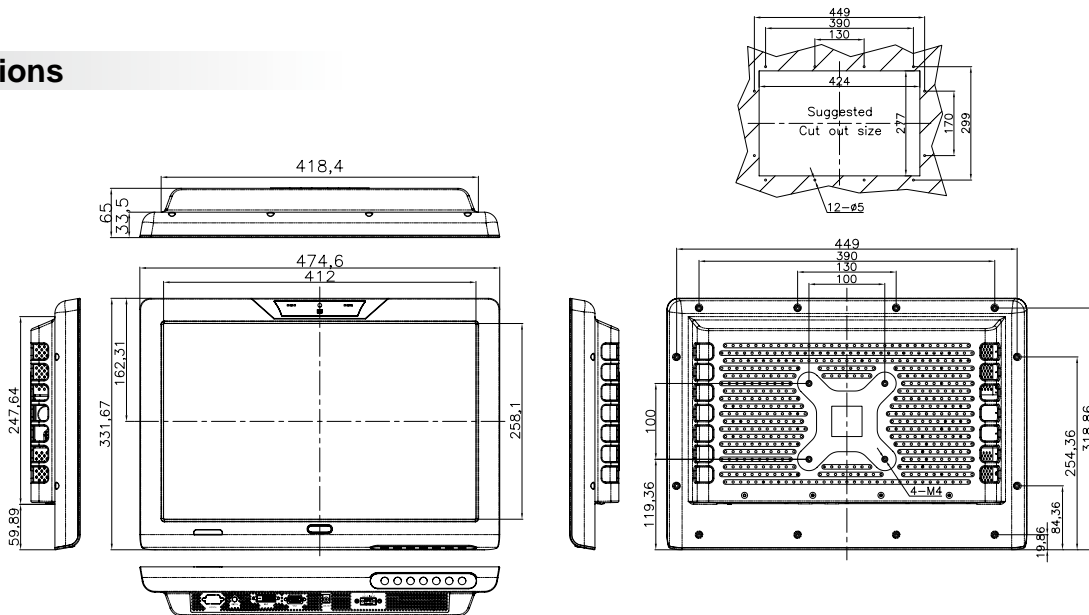
ECN-171A

Dual-display embedded system supports up to dual analog monitors at independent or stretched resolutions.

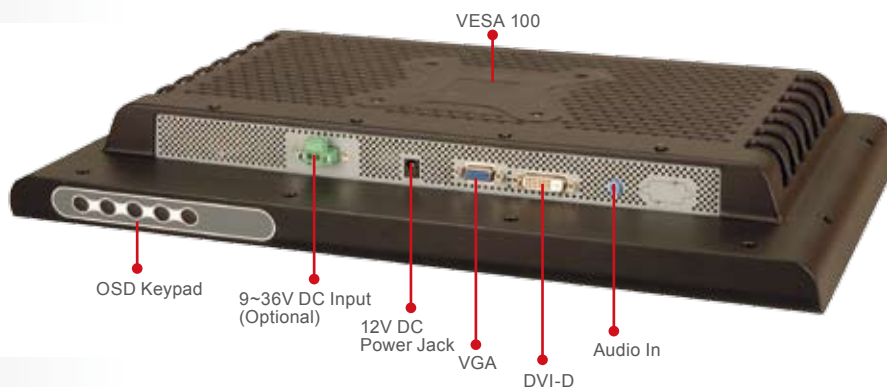
- Intel® 945GME chipset supports socket M CPU up to 34 W TPD
- 7.1 channel HD audio with HDTV output or dual VGA
- One 2.5" hard drive bay and one CompactFlash™ slot
- One PCIe mini card slot and one PCI-104 slot for expansion
- 12 VDC, 9 V~36 VDC input models available



Dimensions



Fully I/O



Specifications

Model Name		AFL-W19M
Display	Screen Size	19" (16:10)
	Display Resolution	1440 x 900 (WXGA+)
	Display Colors	16.7M
	Viewing Angles (H/V)	170° / 160°
	Brightness (cd/m ²)	300
	Contrast Ratio	1000:1
	Response Time (Tr+Tf)	5 ms
	MTBF (Hrs)	50000
Input Connectors	RS-232 for touch (Optional)	1
	USB for touch (Optional)	1
	DVI-D	1
	VGA	1
	12V DC Power Jack	1
	9~36V DC Terminal Block (Optional)	1
	Audio In	1
Speakers	AMP 2W + AMP 2W (Internal Speaker)	
Ambient Light Sensor	Yes	
Membran Keypad	LCD On/Off, Volume Up/Down, Brightness Up/Down	
On Screen Display Functions	Image (Brightness, Contrast ,Sharpness),Display (Auto Adjust, Phase , Clock,Display Control) Color (Auto Color, Color Temperature, sRGB) System (Audio, Factory Reset , Information, Input select, Misc)	
Mounting	VESA 100 mm x 100 mm	
Dimensions (W x H x D) (mm)	475 x 332 x 65	
Operation Temperature (°C)	0°C ~ 50°C	
Net Weight (Kg)	6	
Front Panel Protection	IP 64 compliant	

Ordering Information

Model	Description	
Fiber Glass AFL-W19M-R10	19" 300cd/m ² WXGA+ Widescreen LCD monitor with VGA and DVI-D input, plastic front panel	
Touch Screen	AFL-W19M/T-R-R10	19" 300cd/m ² WXGA+ Widescreen LCD monitor with VGA and DVI-D input, with 19" RS-232 touch screen, plastic front panel
	AFL-W19M-USB/T-R-R10	19" 300cd/m ² WXGA+ Widescreen LCD monitor with VGA and DVI-D input, with 19" USB touch screen, plastic front panel
	AFL-W19MM/T-R-R10	19" 300cd/m ² WXGA+ Widescreen LCD monitor with VGA and DVI-D input, 9~36V DC input, with 19" RS-232 touch screen, plastic front panel
	AFL-W19MM-USB/T-R-R10	19" 300cd/m ² WXGA+ Widescreen LCD monitor with VGA and DVI-D input, 9~36V DC input, with 19" USB touch screen, plastic front panel

Options

Model	
Panel mounting kit	AFLPK-W19B
Wall mounting kit	AFLWK-19
Rack mounting kit	N/A
ARM	ARM-11-RS / ARM-31-RS
Stand	STAND-A19 / STAND-B19 / STAND-210-RS

Packing List

Item	Part No.	Remark
DVI cable	32000-086600-RS	Length: 180cm
VGA cable	32000-036200-RS	Length: 180cm
Audio cable	32000-036500-RS	Length: 180cm
Touch screen RS-232 Cable	32000-000098-RS	Length:180cm for RS-232 touch screen model
Touch screen USB cable	32000-045801-RS	Length:150cm for USB touch screen model
Touch pen		
User's manual CD-ROM		
60W power adapter	63000-FSP0601AD101C-RS	
Power cord	32000-089900-RS	Length: 183cm

1
Automation

2
Point of Service

3
Digital Signage

4
RISC-based Solutions

5
Medical Solutions