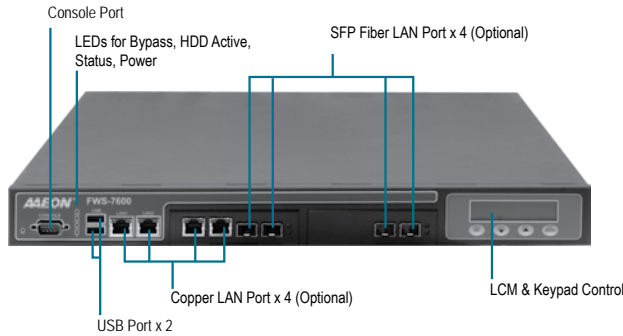


FWS-7600

1U Intel® Xeon Quad Core Networking Appliance with 10 LAN Ports

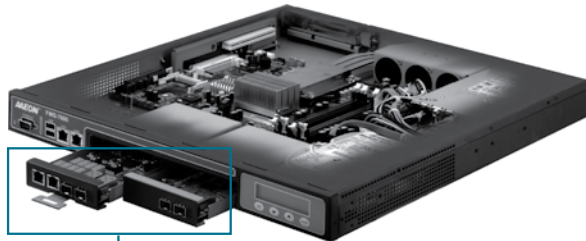
05

Network Platforms



Features

- 1U 10 LAN Ports Network Appliance Platform
- Intel® Xeon Quad Core 3200 Series up to 2.66GHz & Dual Core 3000 Series CPU up to 2.4GHz
- 240-pin Dual Channel ECC DDRII 667 SDRAM DIMM x 4 Support up to 8GB
- Fiber Ethernet x 4 & Gigabit Ethernet x 4 for Optional (4 Ports Bypass Function)
- Ultra ATA-100 Port x 1 & SATA-II x 2
- CompactFlash™ Type-II Connector & Mini PCI Type-III Connector
- 300W Power With Auto Range Input
- USB2.0 Port x 6 (Pin Headers x 4, Type A Port on Front Panel x 2), Parallel LCM with Keypad x 1 & RS-232 Console On Front Panel x 1
- Watchdog Function 1~255 Sec.
- 3.5" Internal Disk Drive Bay x 1



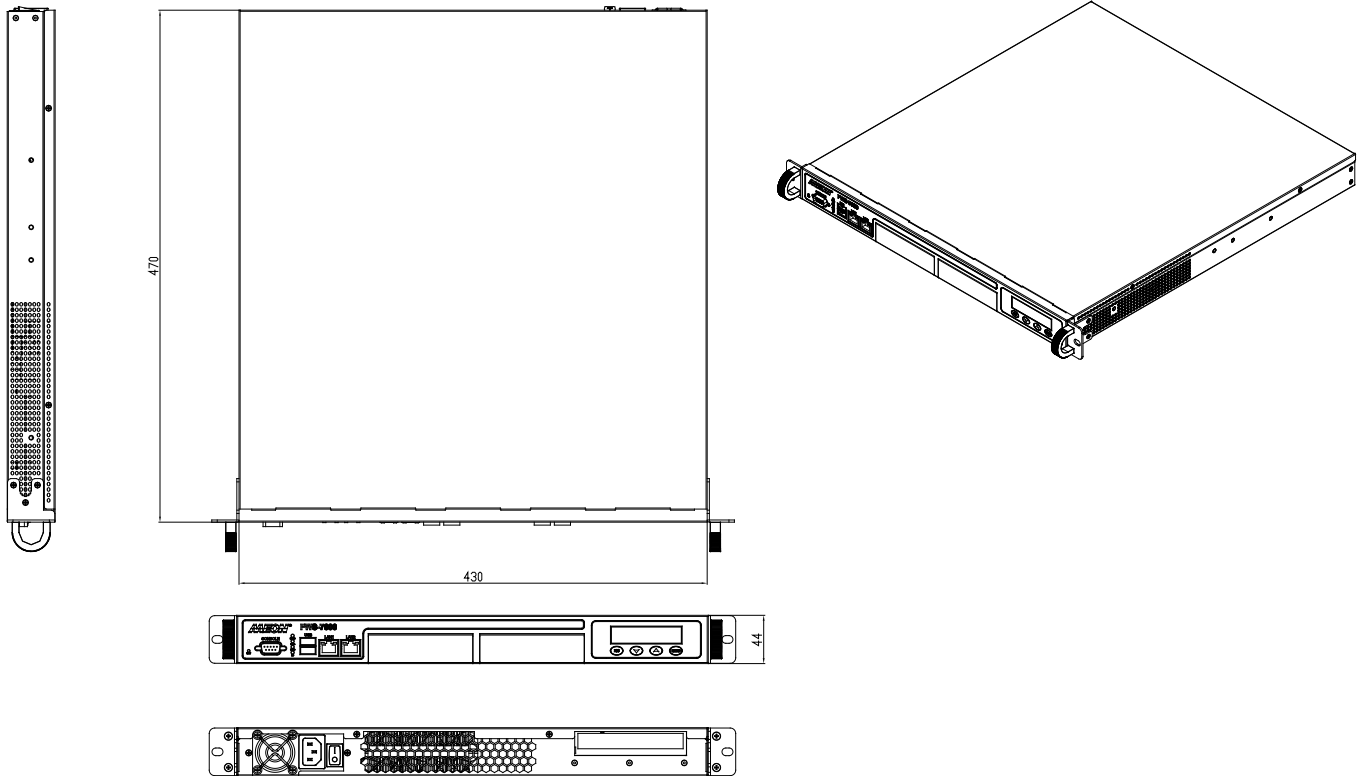
Modules could be two fiber modules or one fiber and one copper combination modules



Specifications

| System | |
|----------------------|--|
| Form Factor | 1U 10-port Network Appliance |
| Processor | Intel® Xeon Quad Core 3200 Series up to 2.66GHz & Dual Core 3000 Series CPU up to 2.4GHz. |
| System Memory | 240-pin ECC DDRII 667 DIMM Socket x 4, total up to 8GB Support Dual Channel |
| Chipset | Intel® 3010 + Intel® 82801FB(ICH7R) |
| Ethernet (Optional) | PCI-E [x1] 10/100/1000Mb LAN w/ Intel® 82573 x 4 (with 2 port by pass), RJ-45 x 4 PCI-E [x4] Dual Fiber LAN w/ Intel® 82571 x 2, SFP x 4 |
| BIOS | Award Plug & Play FWH BIOS – 8Mb ROM |
| IDE Interface | ATA-100 x 1 channel |
| Serial ATA | SATA-II x 2 |
| SSD | CFD type II Connector (ATA Mode) |
| Expansion Interface | Mini PCI Type III Socket |
| Watchdog Timer | 1~255 step, can be set with software on Super I/O |
| RTC | Internal RTC |
| Storage | Internal: 3.5" Hard Disk (SATA or IDE) x 1 |
| System Fan | 4cm Ball Bearing Fan x 3 |
| Front I/O panel | Power LED x 1 Bypass LED x 1 Status LED x 1 HDD Active LED x 1 LAN LEDs x 8 USB Ports x 2 LAN Ports x 8 DB-9 connector x 1 LCM Display x 1 Reset Button x 1 |
| Color | Blue |
| LCM | 16 x 2 characters with 4 keypad control |
| Power Supply | ATX 300W, auto range |
| Dimension | 16.9"(W) x 19.7"(D) x 1.7"(H) (430mm x 500mm x 44mm)—Chassis 9.1"(W) x 12.2"(D) (230mm x 311mm)—Board |
| I/O | |
| Serial Port | COM ports x 2: (Internal Pin Header x 1) COM 1: RS-232 COM 2: RS-232 (Pin Header) |
| K/B and Mouse | Reserve pin header |
| Universal Serial Bus | USB 2.0 Port x 6: Dual TYPE-A Connector in front panel x 2 Pin Headers x 4 (Internal) |
| Rear I/O panel | PCI-E [x1]/ PCI-X / PCI Expansion slot x 1 |

Dimension Unit: mm



| Environment | |
|-----------------------|--|
| Operating Temperature | 32°F ~ 104°F (0°C ~ 40°C) |
| Storage temperature | -4°F ~ 140°F (-20°C ~ 60°C) |
| Operating humidity | 10 ~ 80% |
| Storage humidity | 10 ~ 80% @ 40°C, non-condensing |
| Vibration | 0.5G / 5 ~ 500Hz / operation (3.5" HDD) 1.5G / 5 ~ 500Hz / no operation |
| Shock | 10G peak acceleration (11 m sec. duration), operation 20G peak acceleration (11 m sec. duration), non operation |

Packing List

- **1702151200**
HDD Power Cable x 1
- **1709070200**
SATA Cable x 2
- **1700091803**
D-SUB 9pin Cable x 1
- **S225004010**
Screws Accessories
- **9761810006**
Ear Bracket Module
- **M918100010**
CPU Heatpipe Module
- **Quick Installation Guide**
- **CD-ROM for manual (in PDF format) and drivers**
- **FWS-7600**

Ordering Information

- **TF-FWS-7600S2-H30-A10**
Firewall Platform, 3010+ICH7R, 2 Copper LAN Modules, Riser Card, 1U, ATX, 300W, PSU, Blue

Optional Accessories

- **1701160302**
VGA Cable
- **1700060150**
PS2 KB/MS Cable