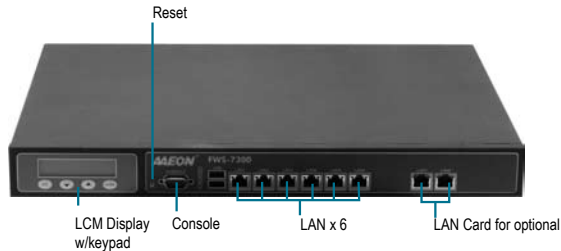


■ 1U Intel® Pentium® M/ Celeron® M Network Appliance With 8 LAN & PCI Expansion Slots



Features

- 1U 8 LAN Network Appliance
- Intel® Pentium® M/ Celeron® M 90nm Processor, (BGA/ Socket Co-Lay)
- 200-Pin Dual-Channel DDRII 400 SODIMM Up To 2 GB
- Intel® 910GML E Integrated Graphics Accelerator
- Optional 10/100/1000Base-TX Ethernet x 8 (2-Port Bypass Function)
- Ultra ATA 100 And DOM Up To 2 GB x 1, SATA I x 2
- CompactFlash™ Type II x 1
- 150W Power With Auto Range Input
- USB2.0 x 6 (Pin Header x 4 And Type A Connector x 2)
- Parallel LCM With Keypad And USB2.0 x 2 On The Front Panel
- RS-232 Console x 2 (Front Panel x 1, Pin Header x 1)
- Watchdog Function 1~255 Sec.
- Internal 3.5" Disk Drive Bay x 1



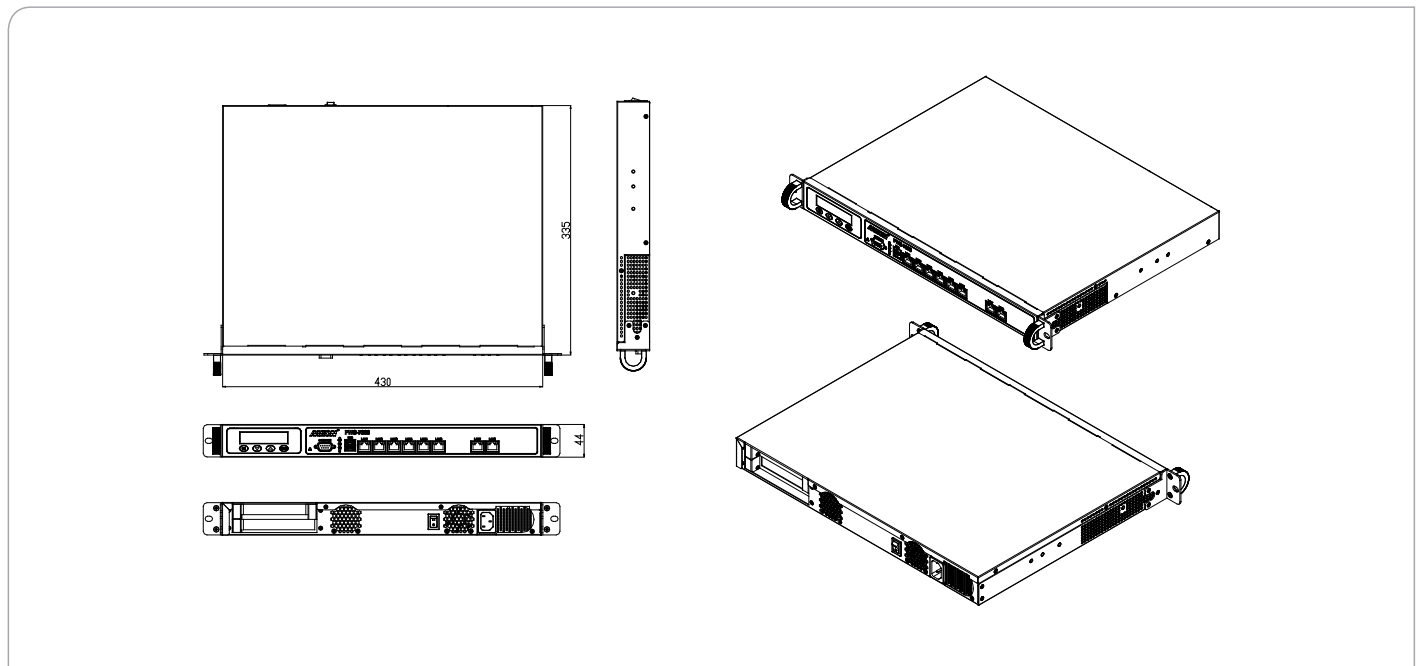
Specifications

System	
Form Factor	1U 8 LAN Network Appliance
Processor	Intel® Pentium® M/ Celeron® M (BGA/Socket Co-lay)
System Memory	200-pin DDRII 400 SODIMM x 2, up to 2 GB
Chipset	Intel® 910GML E + Intel® 82801FBM (ICH6M)
Ethernet	<ul style="list-style-type: none"> • PCI-E [x1] 10/100/1000Base-TX x 2 (Intel® 82574) • PCI 10/100/1000Base-TX x 4 (Intel® 82541/82551 co-lay, with 2 port bypass) • PCI-E [x1] 10/100/1000Base-TX x 2 (Intel® 82574) LAN card for optional
BIOS	Award Plug & Play FWH BIOS – 8 Mb ROM
IDE Interface	ATA 100 x 1 channel
Serial ATA	SATA I x 2
SSD	Supports CompactFlash™ Type II Connector (ATA Mode)
Expansion Interface	Mini-PCI Type III Socket; PCI connector x 1 with 2 slots riser card
Watchdog Timer	1~255 step, can be set with software on Super I/O
RTC	Internal RTC
Storage	Internal: One 3.5" Hard Disk
System Fan	4cm Ball Bearing Fan x 3
Front I/O panel	<ul style="list-style-type: none"> Power LED x 1 Bypass LED x 1 Status LED x 1 HDD Active LED x 1 USB x 2 LAN with LAN LED x 6 DB-9 connector x 1 LCM Display x 1 Software default Switch x 1
Rear I/O panel	PCI Expansion slot x 2
Color	Blue
LCM	2x16 characters with 4 keypad control
Power Supply	ATX 150W, auto range
Dimension	16.9" (W) x 15" (D) x 1.7" (H) (430mm x 380mm x 44mm)—Chassis 9.8" (W) x 11" (D) (250mm x 280mm)—Board
Power Consumption	87W, Intel® Pentium® M 1.8 GHz
MTBF (Hours)	58,000
Display	
VGA Controller	Integrated VGA on Intel® 910GML E, pin header connector

FWS-7300

Dimension

Unit: mm



I/O	
Serial Port	Two COM ports: (Internal Pin Header x 1) COM 1: RS-232 COM 2: RS-232 (Pin Header)
K/B and Mouse	Reserved pin header
Universal Serial Bus	TYPE-A Connector x 2 on front panel
Environment	
Operating Temperature	32°F ~ 104°F (0°C ~ 40°C)
Storage temperature	-4°F ~ 140°F (-20°C ~ 60°C)
Operating humidity	10 ~ 80%
Storage humidity	10 ~ 80% @ 40°C, non-condensing
Vibration	0.5G / 5 ~ 500 Hz/ operation (3.5" Hard Disk Drive) 1.5G / 5 ~ 500 Hz/ non operation
Shock	10G peak acceleration (11 m sec. duration), operation 20G peak acceleration (11 m sec. duration), non operation

Packing List

- **9761810006**
Ear Bracket Module
- **1702151200**
HDD Power Cable x1
- **1700091803**
D-SUB 9-pin Cable x1
- **1709070200**
SATA Cable x 1
- **Quick Installation Guide**
- **Utility CD-ROM**
- **FWS-7300**

Ordering Information

- **TF-FWS-7300E6-H15-A10-00**
Firewall Platform, 910GMLE + ICH6M, Intel® Celeron® M 600 MHz Onboard, 6 Gigabit Ethernet, 2 PCI Riser Card, 1U ATX 150W Power, Blue
- **TF-FWS-7300E6-H15-A10-01**
Firewall Platform, 910GMLE + ICH6M, Socket 479 Intel® Pentium® M CPU, 6 Gigabit Ethernet, 2 PCI Riser Card, 1U ATX 150W PSU, Blue

Optional Accessories

- **M026666000**
Slides x2, for Rackmount usage
- **1701160201**
VGA Cable
- **1700080204**
PS2 KB/MS Cable
- **1702031803**
Power Cord, 3P-250V/10A, 180D, 1.8M, VDE, YP22/YP12
- **1702031802**
Power Cord, 3P-250V/10A, 180D, 1.8M, USA, YP22/YP12
- **170203180E**
Power Cord, 3P-25V/7A, 180D, 1.8M, PSE, YP12/YP12