

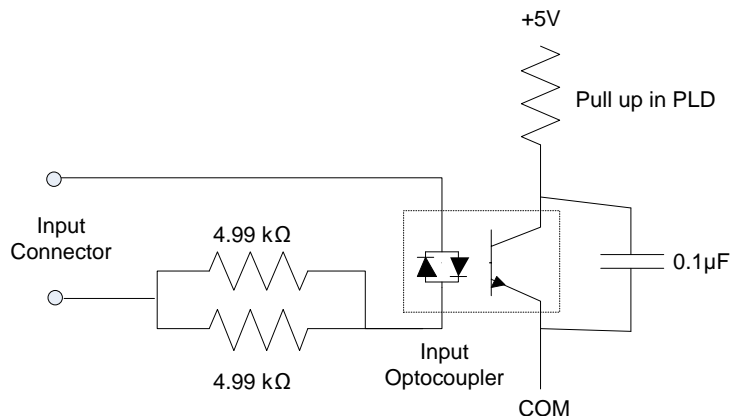
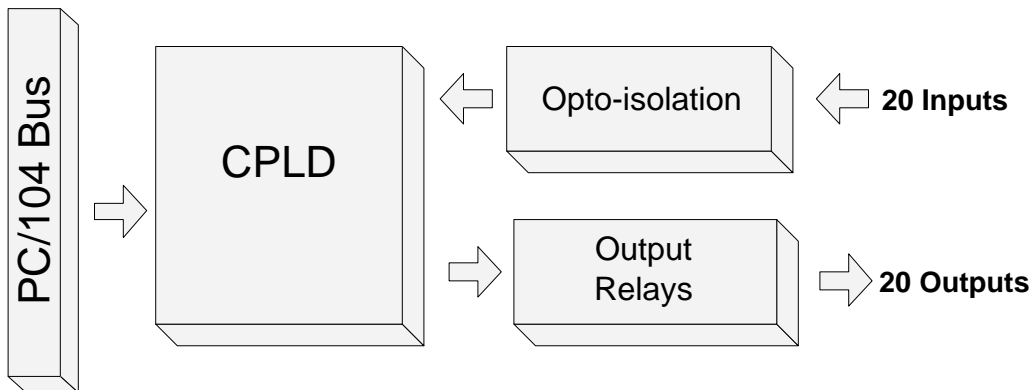
IR104 *PC/104 Industrial Relay Module* High Density Digital I/O Relays

Tri-M's IR104 is a high density digital I/O relay module, designed for industrial applications requiring power switching, on/off control, and equipment automation.



With 20 opto-isolated digital inputs, 20 SPST outputs, quick-disconnect screw terminal mating plugs, and selectable IRQ and Input Change Flags, this highly versatile design is ideal for any industrial control and COTS application requiring input isolation from external monitor and control signals.

The IR104 operates in industrial environments, and its PC/104 embedded systems design allows up to 4 IR104 modules to be stacked together. For more information, contact one of our Technical Sales Representatives today.



Key Specifications

- **20 Opto-isolated Inputs**
Bi-directional 3000V Protection
- **AC or DC Input Voltages**
Accepts AC or DC from 3V to 24V
- **20 SPST Relay Outputs**
5A @ 30VDC and 250VAC max.
- **Selectable Configuration**
IRQs and Input Change Flags
- **Enhanced Temperature**
-25°C to +70°C / -13°F to +158°F

Applications

- ✓ Industrial Automation
- ✓ Aerospace & Defence
- ✓ M2M / Telematics
- ✓ Railway
- ✓ Medical

Advantages

- **Multi-Module Design**
Stackable up to 4 Modules
- **Versatile Configuration**
4 Base Addresses Available

Specifications

Electrical

Supply Voltage
+5VDC

Supply Current
1A max.
Typ.110mA (all relays off)

Mechanical

Dimensions
PC/104 compliant*
90 x 96 x 23mm
(3.55 x 3.78 x 0.49")

Weight
127.12g (4.48oz)

Environmental

Temperature Range
-25°C to +70°C
(-13°F to +158°F)

Certifications



RoHS compliant

Manufactured in
ISO 9001:2008,
ISO 14001:2004 &
ANSI/ESD S20.20
Environments

MTBF

57,098 Hours @ 30°C (86°F)
ambient temperature

Inputs/Outputs

Opto-isolated Inputs

Bi-directional 3kV Protection
3V to 24V AC or DC

Output Relays

5A @ 30VDC or 250VAC max.
20,000,000 lifetime cycles
Operate 10ms max.
Release 5ms max.

Configuration

I/O Map

Relay Output Control
Digital Input Reading
Input Change Flags
Interrupt Control Register

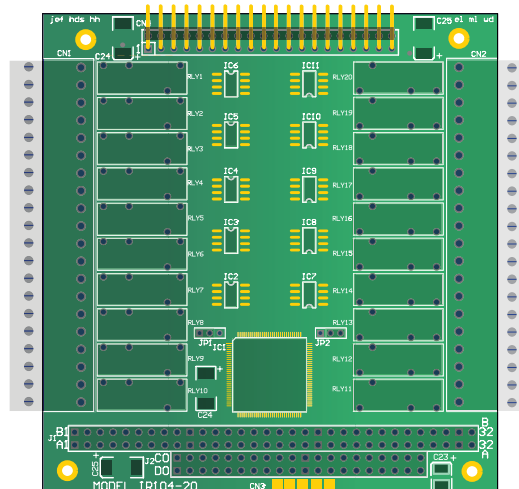
MODELS

IR104
IR104 12V Relays
IR104 Solid State Relays

OPTIONS

Conformal Coating
Lead-Tin Soldering
Latch Connectors
Non-Stackthrough

Top View



*Exceeds PC/104 height standards only by 1.44mm (0.057")



Note

For detailed dimensions, connector, and pin spacing information, please see the User Guide.