



L1FPDC

Technical Product Data

Features

- **Passes GPS L1 Frequency**
- **Excellent Passband Ripple**
L1/L2 Ripple < 1.0 dB

Description

The L1FPDC is a one input, one output RF device that provides additional GPS L1 filtering from a GPS Antenna. The frequency response covers L1 centered at 1575MHz. In the normal configuration, the RF output (J1) passes DC from the connected GPS receiver through the input port to the antenna, allowing the GPS receiver to power the antenna.

Electrical Specifications, T_A = 25⁰C

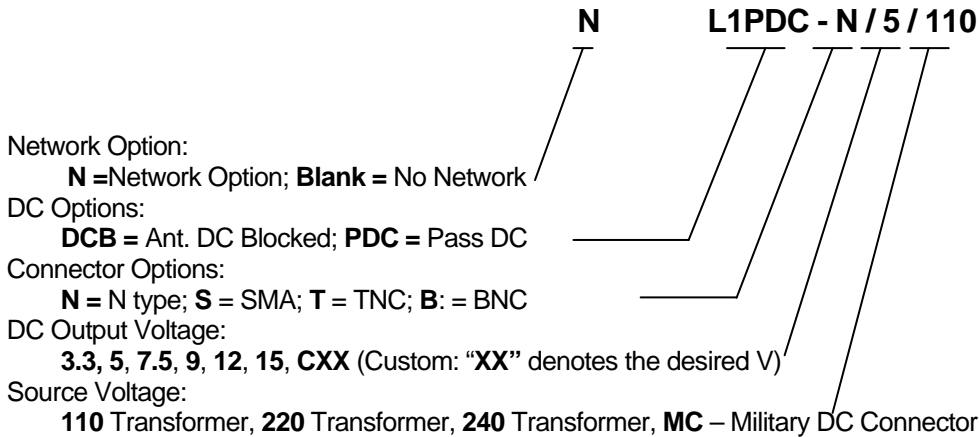
Parameter	Conditions	Min	Typ	Max	Units
Pass Band: L1	Ant – J1	1.570	1.575	1.580	GHz
In/Out Imped.	Ant, J1		50		Ω
Insertion Loss	Ant – J150Ω, L1	-2.8	-3.0	-3.2	dB
Input SWR	J1 - 50Ω, L1			2.0:1	-
Output SWR	Ant - 50Ω			1.6:1	-
Gain	J1	-2.0	-2.5	-3.0	dB
Passband Ripple	Ant – J1, L1& L2 Passbands		1	2	dB
Stopband Rej: L1	1575 +/- 30MHz, Relative to the passband		30		dB

Available Options

Network Power Supply		
Source Voltage Options	VOLTAGE INPUT	STYLE
	110VAC	Transformer (Wall Mount)
	220 VAC	Transformer (Wall Mount)
	240 VAC (United Kingdom)	Transformer (Wall Mount)
Output Voltage Options ⁽¹⁾	Customer Supplied DC 9-32 VDC	Military Style Connector
	DC VOLTAGE OUT	MAX CURRENT OUT FOR CORRESPONDING Vout ⁽²⁾
	5 V	100mA
	7.5V	120mA
	9V	130mA
	12V	160mA
	15V	200mA
Custom	TDB	
Pass/Block DC Options		
Pass DC ⁽¹⁾	All Ports Pass DC	
DC Blocked ⁽¹⁾	Ant is DC blocked, Pass DC J1	
RF Connector Options		
Connector Options	CONNECTOR STYLE	CHARGE
	Type N	NC
	Type SMA	NC
	Type TNC	NC
	Type BNC	NC

(1). With Network Option, any RF port (input or output) can be DC blocked or pass network DC voltage.

Part Number



Mechanical

Dimensions:

Height: 1.3"
 Length (not including connectors) Body: 2.5"
 Base Plate: 3.25"
 Width: 2.5"

Weight: 10 oz. (286 grams)

Operating Temperature Range: -40° to + 75°C