

IOVU-572M

5.7" TFT VGA LCD with resistive touchscreen

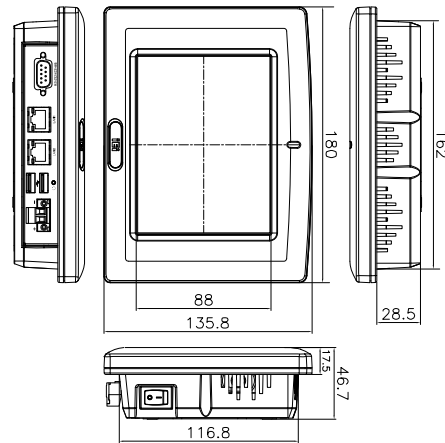
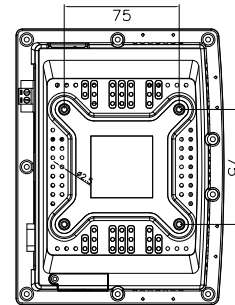
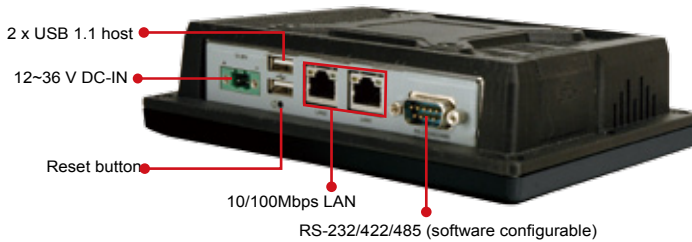


Features

- 5.7" TFT VGA LCD with resistive touchscreen
- XScale® PXA310 624MHz CPU
- Powered by Windows® CE 6.0
- Built-in Ethernet LAN and Wi-Fi
- Built-in RS-232/422/485 Port



IOVU-572M Dimensions (Unit: mm)



Packing List

- 1 x Utility CD includes application tools, SDK, and technical document
- 1 x Null modem cable
- 1 x Touch pen

Ordering Information

Part No.	Description
IOVU-572M-CE6/-R12	5.7" LCD, Marvell PXA310 624MHZ, built-in Wi-Fi, WIN CE6.0, RoHS
IOVU-572M-CE6/WOWL/-R11	RISC PANEL PC, 5.7" LCD, Marvell PXA310 624MHZ, NO WIFI, WIN CE6.0, RoHS

Options

Part No.	Description
AFLPK-12	Panel mounting kit
AFLWK-12	VESA 75 wall mounting kit
ARM-11-RS	LCD monitor/PPC arm kit, loading capacity from 3kg~7kg
STAND-A08-RS	LCD monitor/PPC stand kit for VESA 75 and supports up to 5 kg
VSTAND-A07	LCD monitor/PPC stand V type for VESA 75, 0~90 degree adjustable hinge and supports up to 2.5 kg
AFLP-12BMSR-U	USB magnetic card reader
AFLP-BRW01-U / AFLPB01-U	USB barcode reader (white / black)
AFLP-CDB01 / AFLP-CDW01	VFD customer display (green) 5 x 7 dot matrix (black / white)
63040-010060-060-RS	12V/5A DC 60W power adapter with bare wire, 90~264V AC input