

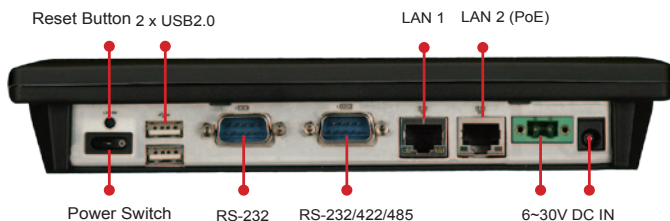
# IOVU-751R

7" TFT WVGA LCD with resistive touchscreen

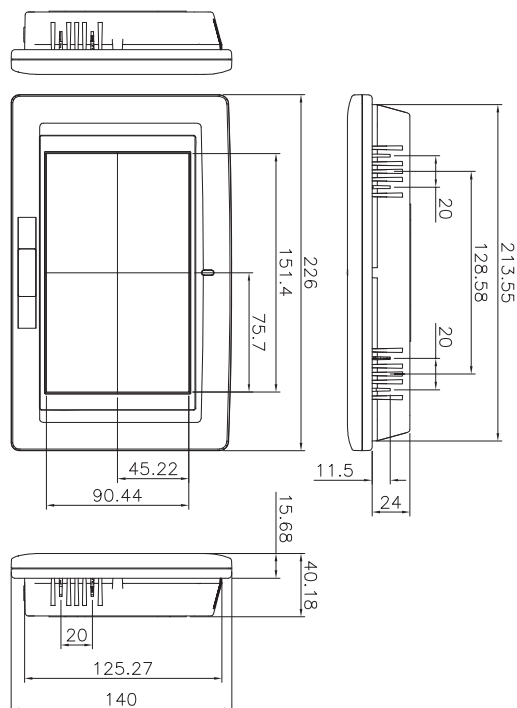


## Features

- 7" TFT WVGA LCD with resistive touchscreen
- Alchemy™ AU1250 500 MHz CPU
- Powered by Windows® CE 5.0
- Built-in Ethernet LAN
- Built-in RS-232/422/485 Port
- Supports Power over Ethernet (PoE)
- Multimedia support for MPEG 1/2/4 and WMV9



## IOVU-751R Dimensions (Unit: mm)



## Packing List

- 1 x IOVU-751R
- 1 x Utility CD includes application tools, SDK, and technical document
- 1 x Null modem cable
- 1 x Touch pen
- 1 x Screw kit

## Ordering Information

Part No.	Description
IOVU-751R-CE5-R10	7", WVGA fan-less touch panel PC with RMI Alchemy AU1250 CPU, 256MB DDR2 SDRAM, LAN supports PoE function and built-in Windows® CE5.0 Operating System

## Options

Part No.	Description
AFLPK-12	Panel mount kit
AFLWK-12	VESA 75 wall mount kit
ARM-11-RS	LCD Monitor/PPC Arm kit loading capacity from 3kg~7kg
STAND-A08-RS	LCD Monitor/PPC Stand kit for VESA 75 and supports up to 5 kg
VSTAND-A07	LCD Monitor/PPC Stand V type for VESA 75, 0~90 degree adjustable hinge and support up to 2.5 kg
AFLP-12BMSR-U	USB Magnetic Card Reader
AFLP-BRW01-U / AFLPBRB01-U	USB Barcode Reader (White / Black)
AFLP-CDB01 / AFLP-CDW01	VFD Customer Display (Green) 5 x 7 dot matrix (Black / White)
63000-FSP060DBAB1553-RS	Adapter Power; FSP;FSP060-DBAB1; Active PFC; Vin:90~264VAC; 60W; Dim: 62*110*31.5mm; Plug=9.5mm; Cable=1500mm; Erp(NO LOAD 0.5W); Vout:12VDC; Φ2.5/Φ5.5; CCL; RoHS
63040-010060-060-RS	12V/5A DC 60W power adapter with bare wire, 90~264V AC input