

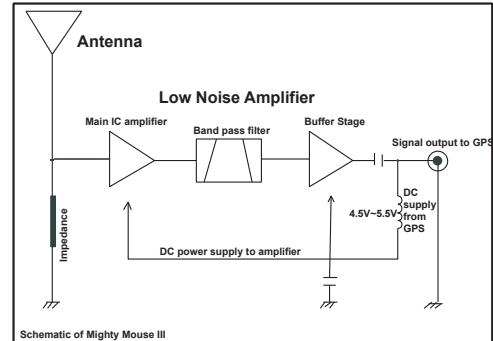
# Mighty Mouse III

## Active GPS Antennas



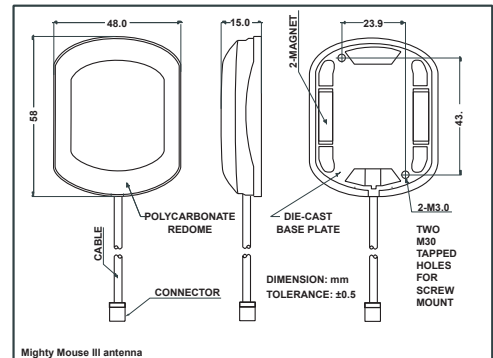
### Mighty Mouse III (Low Power)

- 26dB gain low noise amplifier
- Maximum of 6mA current consumption
- 3.3V to 5.5V DC



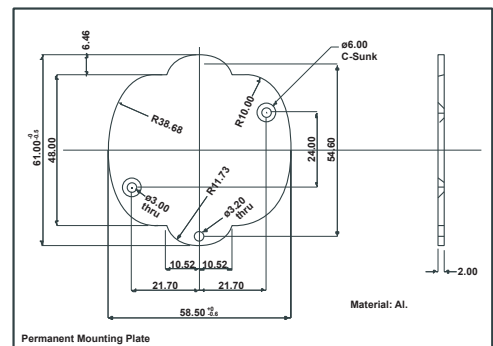
### Mechanical and Environmental

- Dimensions: 58mm x 48mm x 15mm
- Weight: 65g
- Mounting: dual magnet mount or screw on metal plate mount
- Cable: RG174/U, 5m, strength 6kg @ 5sec.
- Connector: Universal FME to TNC/ BNC/SMA/SMB/MCX
- Temperature: Operating -40°C to 85°C, Storage -50°C to 95°C
- Humidity: 95% non-condensing
- Water: 100% waterproof



### Antenna Element

- Frequency: Center at 1575.42MHz
- Polarization: Right handed circular polarization
- Gain @ 90: 5dB typical
- Gain @ 10: -1dB typical
- Axial Ratio: 3dB max.
- Output VSWR: 1.5:1 max.
- Impedance: 45
- LNA Noise: 1.5dB typical 2.2dB max



### Ordering Information

Part Number	Description
MM3 GPS	Mighty Mouse III, 26 dB gain GPS Antenna with 5 meter cable (3.3V to 5.5V DC)

### Options

XXX	Straight connector; replace XXX with SMB, SMA, BNC, TNC, MCX or NTYPE
XXX-RA	Right angle connector; replace XXX with SMB, SMA, BNC, TNC, MCX or NTYPE



### Tri-M Systems and Engineering

1407 Kebet Way, Unit 100 • Port Coquitlam, BC V3C 6L3 • Canada  
Tel: 604.945.9565 Fax: 604.945.9566 [www.Tri-M.com](http://www.Tri-M.com)